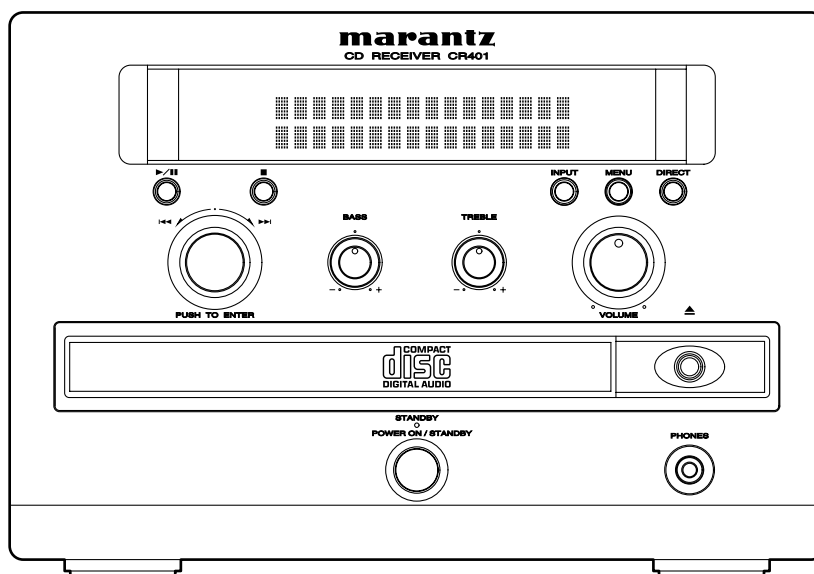


# Service Manual

CR401 /N1S

CD Receiver



COMPACT  
disc  
DIGITAL AUDIO

## TABLE OF CONTENTS

SECTION	PAGE
1. TECHNICAL SPECIFICATIONS .....	1
2. SERVICE HINTS AND TOOLS .....	4
3. WARNING AND LASER SAFETY INSTRUCTIONS.....	5
4. TAKING THE DISC OUT OF EMERGENCY .....	6
5. CD UPDATE FIRMWARE.....	7
6. FACTORY / SERVICE MODE .....	8
7. WIRING DIAGRAM .....	9
8. BLOCK DIAGRAM .....	11
9. SCHEMATIC DIAGRAM.....	13
10. PARTS LOCATION.....	19
11. MICROPROCESSOR AND IC DATA.....	29
12. EXPLODED VIEW AND PARTS LIST .....	41
13. ELECTRICAL PARTS LIST .....	44

Please use this service manual with referring to the user guide ( D.F.U. ) without fail.  
修理の際は、必ず取扱説明書を準備し操作方法を確認の上作業を行ってください。

# marantz®

## CR401

Part no. 90M49BW855010  
First Issue 2005.12  
MZ

CR401

## MARANTZ DESIGN AND SERVICE

Using superior design and selected high grade components, **MARANTZ** company has created the ultimate in stereo sound. Only original **MARANTZ** parts can insure that your **MARANTZ** product will continue to perform to the specifications for which it is famous.

Parts for your **MARANTZ** equipment are generally available to our National Marantz Subsidiary or Agent.

### ORDERING PARTS :

Parts can be ordered either by mail or by Fax.. In both cases, the correct part number has to be specified.

The following information must be supplied to eliminate delays in processing your order :

1. Complete address
2. Complete part numbers and quantities required
3. Description of parts
4. Model number for which part is required
5. Way of shipment
6. Signature : any order form or Fax. must be signed, otherwise such part order will be considered as null and void.

#### USA

**MARANTZ AMERICA, INC**  
1100 MAPLEWOOD DRIVE  
ITASCA, IL. 60143  
USA  
PHONE : 630 - 741 - 0300  
FAX : 630 - 741 - 0301

#### EUROPE / TRADING

**MARANTZ EUROPE B.V.**  
P. O. BOX 8744, BUILDING SILVERPOINT  
BEEMDSTRAAT 11, 5653 MA EINDHOVEN  
THE NETHERLANDS  
PHONE : +31 - 40 - 2507844  
FAX : +31 - 40 - 2507860

#### CANADA

**MARANTZ CANADA INC.**  
5-505 APPLE CREEK BLVD.  
MARKHAM, ONTARIO L3R 5B1  
CANADA  
PHONE : 905 - 415 - 9292  
FAX : 905 - 475 - 4159

#### AUSTRALIA

**QualiFi Pty Ltd,**  
24 LIONEL ROAD,  
MT. WAVERLEY VIC 3149  
AUSTRALIA  
PHONE : +61 - (0)3 - 9543 - 1522  
FAX : +61 - (0)3 - 9543 - 3677

#### THAILAND

**MRZ STANDARD CO., LTD**  
746 - 754 MAHACHAI ROAD.,  
WANGBURAPAPIROM, PHRANAKORN,  
BANGKOK, 10200 THAILAND  
PHONE : +66 - 2 - 222 9181  
FAX : +66 - 2 - 224 6795

#### SINGAPORE

**WO KEE HONG DISTRIBUTION PTE LTD**  
No.1 JALAN KILANG TIMOR  
#08-03 PACIFIC TECH CENTRE  
SINGAPORE 159303  
PHONE : +65 6376 0338  
FAX : +65 6376 0166

#### NEW ZEALAND

**WILDASH AUDIO SYSTEMS NZ**  
14 MALVERN ROAD MT ALBERT  
AUCKLAND NEW ZEALAND  
PHONE : +64 - 9 - 8451958  
FAX : +64 - 9 - 8463554

#### TAIWAN

**PAI- YUING CO., LTD.**  
6 TH FL NO, 148 SUNG KIANG ROAD,  
TAIPEI, 10429, TAIWAN R.O.C.  
PHONE : +886 - 2 - 25221304  
FAX : +886 - 2 - 25630415

#### MALAYSIA

**WO KEE HONG ELECTRONICS SDN. BHD.**  
2ND FLOOR BANGUNAN INFINITE CENTRE  
LOT 1, JALAN 13/6, 46200 PETALING JAYA  
SELANGOR DARUL EHSAN, MALAYSIA  
PHONE : +60 - 3 - 7954 8088  
FAX : +60 - 3 - 7954 7088

#### JAPAN *Technical*

**D&M Holdings Inc.**  
35- 1, 7- CHOME, SAGAMIONO  
SAGAMIHARA - SHI, KANAGAWA  
JAPAN 228-8505  
PHONE : +81 42 748 1013  
FAX : +81 42 741 9190

株式会社 ディーアンドエムホールディングス

本社 〒228-8505  
神奈川県相模原市相模大野7-35-1

#### KOREA

**MARANTZ KOREA CO., LTD.**  
ROOM 604, ELECTRO OFFICE, 16-58,  
HANGGANG-RO 3GA, YONGSAN-KU,  
SEOUL, 140-013, KOREA  
PHONE : +82 - 2 - 323 - 2155  
FAX : +82 - 2 - 323 - 2154

#### CHINA

**MARANTZ SHANGHAI TRADING LTD.**  
ROOM.506 SHANGHAI LIGHT INDUSTRY MANSION  
1578 NANJING (WEST) ROAD SHANGHAI  
CHINA  
TEL : 021 - 6248 - 1064  
FAX : 021 - 6248 - 3565

### SHOCK, FIRE HAZARD SERVICE TEST :

**CAUTION :** After servicing this appliance and prior to returning to customer, measure the resistance between either primary AC cord connector pins ( with unit NOT connected to AC mains and its Power switch ON ), and the face or Front Panel of product and controls and chassis bottom.

Any resistance measurement less than 1 Megohms should cause unit to be repaired or corrected before AC power is applied, and verified before it is return to the user/customer.

In case of difficulties, do not hesitate to contact the Technical Department at above mentioned address.

# 1. TECHNICAL SPECIFICATIONS

## AMP

Power Output .....30 W + 30 W (6 Ω THD=10%)  
 THD (Total Harmonic Distortion)  
 .....0.22% (15 W output 6 Ω)  
 Input Sensitivity and Impedance.....200 mV  
 Frequency Response  
 .....20 Hz-90 kHz/( -3 dB /Line)  
 Tone Control..... +8 dB, -8 dB, 100 Hz – 10 kHz  
 Speaker Impedance ..... 6–8 Ω

## FM

Tuning Frequency Range  
 .....87.5–108 MHz 50 kHz step  
 Usable Sensitivity .....2.2 μV (75ΩIHF)  
 S/N Ratio.....Stereo 68 dB (IHF-A)  
 .....Mono 69 dB (IHF-A)  
 THD (Total Harmonic Distortion)  
 .....Stereo 0.3% (1 kHz)  
 .....Mono 0.2% (1 kHz)  
 Frequency Response  
 .....30 Hz–15 kHz/+1.5 dB, -1.5 dB  
 Stereo Separation..... 40 dB (1 kHz)

## AM

Tuning Frequency Range  
 ..... 522–1611 kHz 9kHz step  
 Usable Sensitivity ..... 320 μV  
 S/N Ratio ..... 45 dB  
 THD (Total Harmonic Distortion) .....1.00%

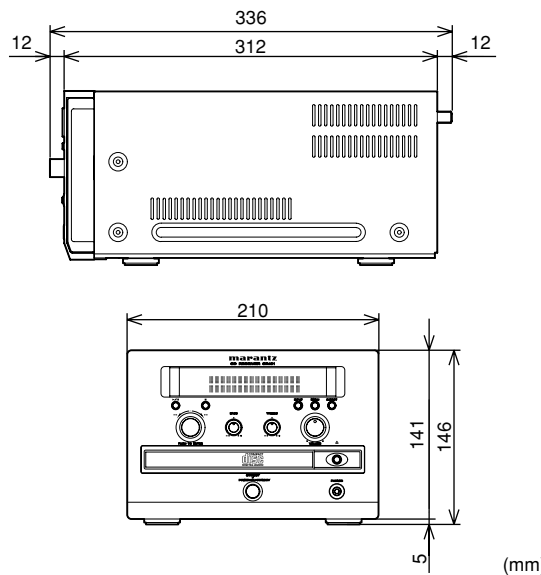
## CD

Frequency Response .....20 Hz–20 kHz (±1 dB)  
 Audio Dynamic Range.....93 dB  
 THD (Total Harmonic Distortion) .....0.01%  
 Wow and Flutter  
 .....Below threshold of measurability  
 Audio Output/Impedance (Analog)  
 .....1.3 V (rms) /1 kΩ  
 S/N Ratio .....93 dB

## General

Power Supply .....AC 230V, 50 Hz  
 Power Consumption .....74 W  
 Stand-by Power Consumption.....0.8 W  
 Dimensions (W x H x D)  
 .....210 W x 146 H x 336 D mm  
 Weight.....5.7 kg

\* Specifications subject to change without prior notice.

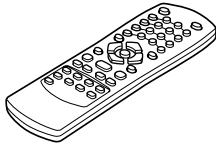


## ■ Do Not Touch Hot Spots During and Immediately After Use

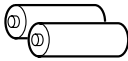
During and immediately after use, the CR401 is hot in areas other than the controls and rear panel connection jacks. Do not touch hot spots and especially the top panel. Contact with hot areas can cause burns.

## ■ Accessories

- Remote control unit (RC601CR) x 1



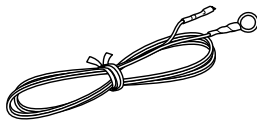
- Size "AAA" batteries x 2



- AM loop antenna x 1






- FM indoor antenna x 1



- User Guide x 1
- Registration Card x 1

## ■ ABOUT DISCS

### Playable discs

	<b>Audio CD (CD-DA)</b>
 	<b>CD-R/CD-RW</b> Finalized CD-R and CD-RW discs recorded in the CD-DA format, MP3 format can be played with the unit.

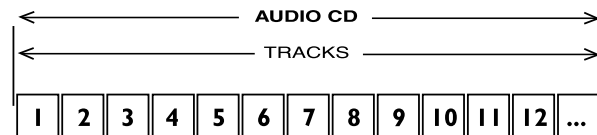
\* Finalize is the process to make a CD-R/CD-RW playable for players (not recorders)

\* Some discs may not be able to be played depending on condition of the discs and recording software.

### Structure of audio CD

Audio CDs contain music tracks only.

You can play them in conventional style through a stereo system, using the keys on the remote control and/or front panel.



### About playing copy-controlled CDs

Some copy-controlled CDs may not conform to official CD standards. They are special discs and may not play on the CR401.

### Discs made on personal computers

Discs made on personal computers, including those of a compatible format, may not work properly in the CR401 because of incorrect settings in the disc burning software. Check the manual supplied with your disc burning software for additional compatibility information.

## **MP3 compatibility**

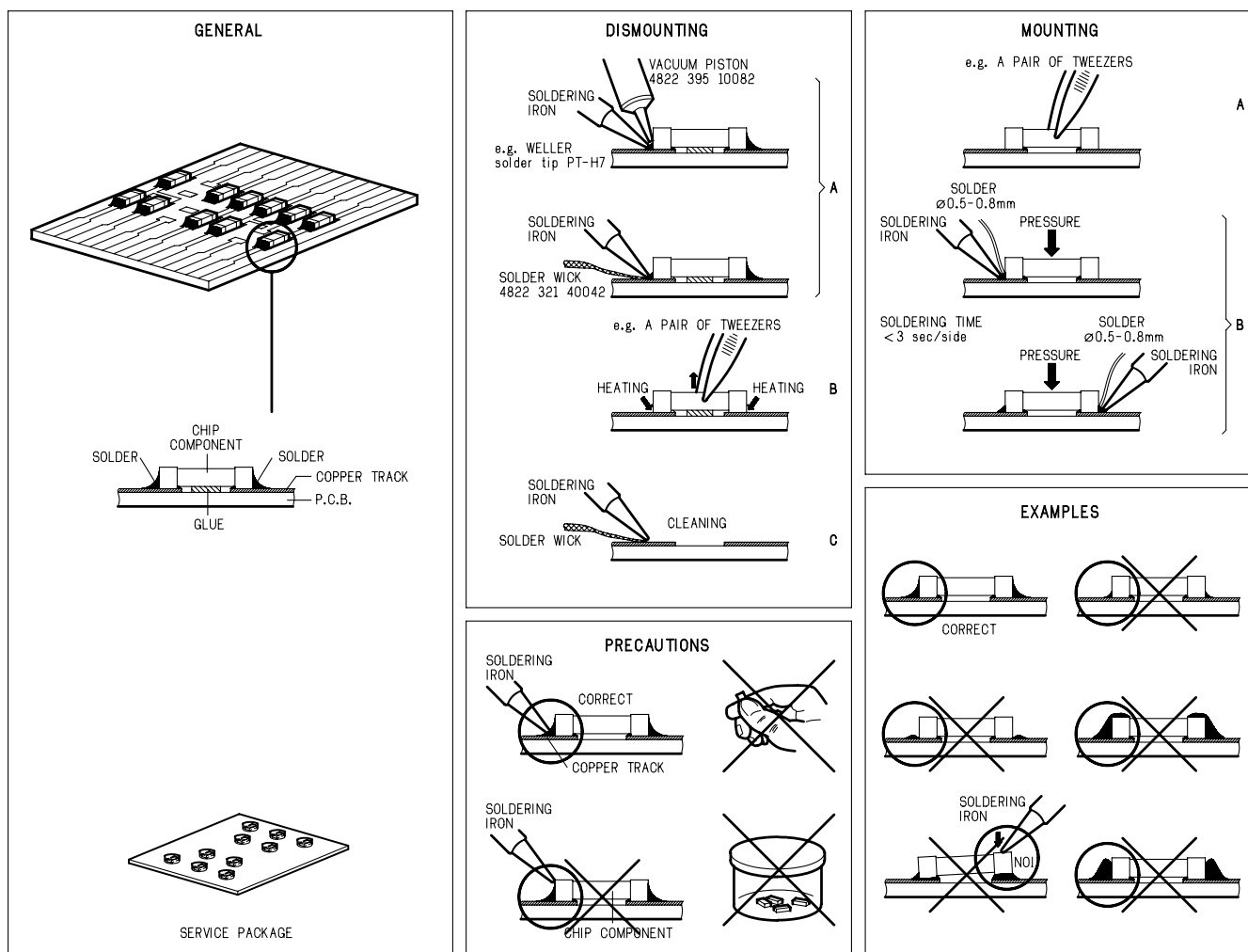
- MP3 discs must be ISO 9660 Level 1 or Level 2, Joliet compliant. Supported formats: Mode 1, Mode 2.
- Folders can be up to eight levels deep.
- MP3 files must be MPEG-1/MPEG-2 Audio Layer 3 format with a sampling rate of between 16 kHz and 48 kHz and a bit-rate of between 32 kbps and 320 kbps (128 kbps or 192 kbps recommended). Incompatible files cannot be played.
- Fixed bit-rate MP3 files are recommended, however, variable bit-rate (VBR) MP3 files between 8 kbps and 320 kbps are supported (Playing times may display incorrectly).
- MP3 files must have a “.mp3” or “.MP3” file name extension. MP3 files without the proper extension will not be recognized. To prevent noise and malfunction, do not use these extensions for other types of files.
- The CR401 supports up to 500 MP3 files and up to 200 folders per disc. (In this case, Disc and File names contain 30 characters and Folder names contain 20 characters.) Files and folders in excess of this cannot be played. Note that if the file and folder structure is very complicated, the CR401 may not be able to read or play all of the MP3 files on the disc. If the disc, folder or file names contain many characters, the CR401 may not support 500 MP3 files.
- Disc names may contain up to 30 characters. File and folder names may contain up to 60 characters.
- The maximum time that can be displayed for a single track is 99 minutes and 59 seconds.
- The remaining time cannot be displayed when playing MP3 files.
- Multisession discs are supported, however, some multisession discs may take a long time to load and some may not load at all. When burning CDs we recommend that you use a single session (disc-at-once), and select “Disc Close.”
- The ID3 tag version 1.0 is supported.

## **Notes**

- With CD-ROM, CD-R, and CD-RW discs that contain many files and folders, and files other than MP3s, it may take a long time to read the disc. We recommend that you include only MP3 files on your discs, use about 20 folders, and limit folder nesting to three levels deep.
- In this manual, MP3 files are referred to as tracks.

## 2. SERVICE HINTS AND TOOLS

### SERVICE HINTS



### SERVICE TOOLS

Audio signals disc	4822 397 30184
Disc without errors (SBC444)+	
Disc with DO errors, black spots and fingerprints (SBC444A)	4822 397 30245
Disc (65 min 1kHz) without no pause	4822 397 30155
Max. diameter disc (58.0 mm)	4822 397 60141
Torx screwdrivers	
Set (straight)	4822 395 50145
Set (square)	4822 395 50132
13th order filter	4822 395 30204
DVD test disc (PAL)	4822 397 10131
DVD test disc (NTSC) ALMEDIO	TDV-540

### 3. WARNING AND LASER SAFETY INSTRUCTIONS

**GB** WARNING

All ICs and many other semi-conductors are susceptible to electrostatic discharges (ESD). Careless handling during repair can reduce life drastically. When repairing, make sure that you are connected with the same potential as the mass of the set via a wrist wrap with resistance. Keep components and tools also at this potential.



**NL** WAARSCHUWING

Alle IC's en vele andere halfgeleiders zijn gevoelig voor elektrostatische ontladingen (ESD). Onzorgvuldig behandelen tijdens reparatie kan de levensduur drastisch doen verminderen. Zorg ervoor dat u tijdens reparatie via een polsband met weerstand verbonden bent met hetzelfde potentiaal als de massa van het apparaat. Houd componenten en hulpmiddelen ook op hetzelfde potentiaal.

**F** ATTENTION

Tous les IC et beaucoup d'autres semi-conducteurs sont sensibles aux décharges statiques (ESD). Leur longévité pourrait être considérablement écourtée par le fait qu'aucune précaution n'est prise à leur manipulation. Lors de réparations, s'assurer de bien être relié au même potentiel que la masse de l'appareil et enfiler le braceleterti d'une résistance de sécurité. Veiller à ce que les composants ainsi que les outils que l'on utilise soient également à ce potentiel.

**D** WARNUNG

Alle IC und viele andere Halbleiter sind empfindlich gegen elektrostatische Entladungen (ESD). Unvorsichtige Behandlung bei der Reparatur kann die Lebensdauer drastisch vermindern. Sorgen sie dafür, das Sie im Reparaturfall über ein Pulsarmband mit Widerstand mit dem Massepotential des Gerätes verbunden sind. Halten Sie Bauteile und Hilfsmittel ebenfalls auf diesem Potential.

**I** AVVERTIMENTO

Tutti IC e parecchi semi-conduttori sono sensibili alle scariche statiche (ESD). La loro longevita potrebbe essere fortemente ridatta in caso di non osservazione della piu grande cauzione alla loro manipolazione. Durante le riparazioni occorre quindi essere collegato allo stesso potenziale che quello della massa dell'apparecchio tramite un braccialetto a resistenza. Assicurarsi che i componenti e anche gli utensili con quali si lavora siano anche a questo potenziale.

**GB**

Safety regulations require that the set be restored to its original condition and that parts which are identical with those specified be used.

**D**

Bei jeder Reparatur sind die geltenden Sicherheitsvorschriften zu beachten. Der Originalzustand des Gerats darf nicht verändert werden. Fur Reparaturen sind Original-Ersatzteile zu verwenden.

**NL**

Veiligheidsbepalingen vereisen, dat het apparaat in zijn oorspronkelijke toestand wordt terug gebracht en dat onderdelen, identiek aan de gespecificeerde worden toegepast.

**I**

Le norme di sicurezza esigono che l'apparecchio venga rimesso nelle condizioni originali e che siano utilizzati pezzi di ricambio idetici a quelli specificati.

**F**

Les normes de sécurité exigent que l'appareil soit remis a l'état d'origine et que soient utilisées les pièces de rechange identiques à celles spécifiées.

"Pour votre sécurité, ces documents doivent être utilisés par des spécialistes agréés, seuls habilités à réparer votre appareil en panne."

### LASER SAFETY

This unit employs a laser. Only a qualified service person should remove the cover or attempt to service this device, due to possible eye injury.



**USE OF CONTROLS OR ADJUSTMENTS OR PERFORMANCE OF PROCEDURE OTHER THAN THOSE SPECIFIED HEREIN MAY RESULT IN HAZARDOUS RADIATION EXPOSURE.**

**AVOID DIRECT EXPOSURE TO BEAM**

#### WARNING

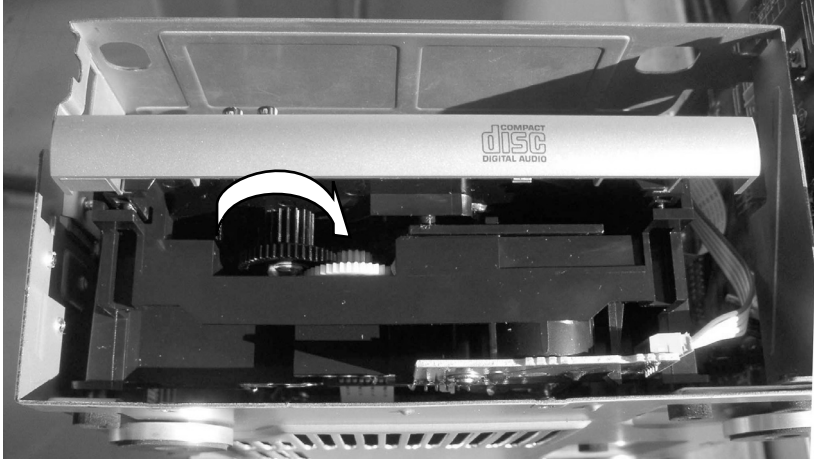
**The use of optical instruments with this product will increase eye hazard. Repair handling should take place as much as possible with a disc loaded inside the player**

#### WARNING LOCATION: INSIDE ON LASER COVERSIELD

**CAUTION** VISIBLE AND INVISIBLE LASER RADIATION WHEN OPEN AVOID EXPOSURE TO BEAM  
**ADVARSEL** SYNLIG OG USYNLIG LASERSTRÅLING VED ÅBNING UNDGÅ UDSÆTTELSE FOR STRÅLING  
**ADVARSEL** SYNLIG OG USYNLIG LASERSTRÅLING NÅR DEKSEL Å PNES UNNGÅ EKSPONERING FOR STRÅLEN  
**WARNING** SYNLIG OCH OSYNLIG LASERSTRÅLNING NÅR DENNA DEL ÅR ÖPPNAD BETRakta EJ STRÅLEN  
**VARO!** AVATT AESSA OLET ALTTIINA NÄKYVÄLLE JA NÄKYMÄTTÖMÄLLE LASER SÄTEILYLLE. ÄLÄ KATSO SÄTEESEEN  
**VORSICHT** SICHTBARE UND UNSICHTBARE LASERSTRAHLUNG WENN ABDECKUNG GEÖFFNET NICHT DEM STRAHL AUSSETSEN  
**DANGER** VISIBLE AND INVISIBLE LASER RADIATION WHEN OPEN AVOID DIRECT EXPOSURE TO BEAM  
**ATTENTION** RAYONNEMENT LASER VISIBLE ET INVISIBLE EN CAS D'OUVERTURE EXPOSITION DANGEREUSE AU FAISCEAU

#### 4. TAKING THE DISC OUT OF EMERGENCY

1. Remove 9 screws on the top cover and remove the top cover.
2. Remove 2 screws (LEFT x 1 / RIGHT x 1) on the front panel.
3. Remove 3 screws from bottom of the front panel.
4. Disconnect all the wires from PWB of front panel and remove the front panel.
5. Turn the gear (black) to the direction shown with your finger and disc tray will opened.



6. Now you can remove the disc.



## 5. CD UPDATE FIRMWARE

**Attention** : Do not turn off the unit until disk tray opens automatically during the updating.  
When the turn off the unit halfway, the unit can't be operated any more.

1. The unit on standby mode.
2. Press the **STOP** → **DIRECT** → **INPUT** → **STOP** → **ENTER** → **POWER ON/STANDBY** buttons within about 1second.
3. The disc tray opens automatically. Insert the update CD-ROM.  
(When Disc tray will not open: Redo the step 1 and 2, because unit is not update mode.)
4. Press the **Disc tray**.
5. Software updating will be done automatically. When the updating is finished, the disc tray opens automatically.  
(Updating takes about from 5 minute to 10 minutes.)
6. Remove the CD-ROM from the disc tray.
7. Press the **POWER ON/STANDBY** button (on standby mode).
8. Press the **POWER ON/STANDBY** button (turn on the power).

**REMARK** : When having kept 3 minutes or more with the display of [**F OK**] during update, reading of data has ended in failure. Redo the update from step 1. CD-ROM for update created by CD-RW may become read error. It recommends using CD-R to creation of CD-ROM for update.

Upgrade is completed.

## 5. CD ソフトウェアのアップデート方法

**注意** 書き換え中は、ディスクトレイが自動的にオープンするまで絶対に本機の電源を切らないで下さい。  
途中で電源を切ると通常の動作も出来なくなります。

1. 電源は **STANDBY** モードにします。
2. フロントパネルの **STOP** → **DIRECT** → **INPUT** → **STOP** → **ENTER** → **POWER ON/STANDBY** ボタンを約 1 秒以内に押します。
3. ディスクトレイが自動的にオープンします。アップデート用 CD-ROM を挿入します。  
(ディスクトレイが開かない場合は、アップデートモードになっていませんので、再度手順 1, 2 の作業を行ってください。)
4. ディスクトレイを押します。
5. ソフトの書き換えは自動的に行われます。書き換えが終了するとディスクトレイは自動的にオープンします。  
(書き換えには約 5 分から約 10 分かかります。)
6. ディスクトレイから CD-ROM を取り出します。
7. **POWER ON/STANDBY** ボタンを押し **STANDBY** モードにします。
8. **POWER ON/STANDBY** ボタンを押し電源を入れます。

**注意** アップデート中に "**F OK**" の表示のまま 3 分以上停止している場合は、データの読み込みに失敗していますので再度手順 1 から作業を行ってください。また、CD-RW で作成されたアップデート用 CD-ROM は読み込みエラーが発生することがあります。アップデート用 CD-ROM を作成する際は CD-R を使用することを推奨します。

以上で、ソフトウェアのアップデートは完了です。

## 6. FACTORY / SERVICE MODE

### A. FACTORY MODE

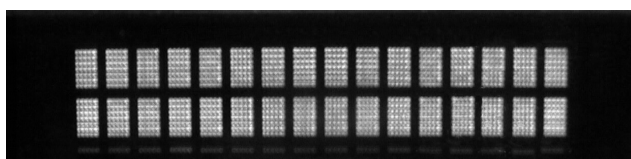
To reset all settings to default status, follow the procedure below.

1. Connect mains cord to the unit while pressing **MENU** and **POWER ON/STANDBY** button. (**MENU** and **POWER ON/STANDBY** button are pushed 3 seconds or more.)
2. **Data Initial OK** is displayed on FLD.
3. The unit becomes the setup of default automatically.

### B. SERVICE MODE

#### Micro-Processor Version check

1. Power is STANDBY mode.
2. Press **STOP** → **INPUT** → **STOP** → **INPUT** → **DIRECT** buttons within about 1 second.
3. All Segments of FLD will be light ON.



4. Turn **Easy JOG** Knob clockwise or counter clockwise. System  $\mu$ -P version is displayed on FLD.



5. Turn **Easy JOG** Knob clockwise or counter clockwise. CD  $\mu$ -P version is displayed on FLD.



6. Turn **Easy JOG** Knob clockwise or counter clockwise. DAB  $\mu$ -P version is displayed on FLD.



7. Turn off power to quit Service mode.

## 6. FACTORY / SERVICE モード

### A. FACTORY モード

1. **MENU** ボタンと **POWER ON/STANDBY** ボタンを押しながら電源コードを接続します。約3秒以上ボタンを押します。
2. **Data Initial OK** が表示されます。
3. 自動的に出荷時の設定になります。

### B. SERVICE モード

#### Microprocessor (CPU) VERSION 確認

1. 電源は STANDBY モードにします。
2. フロントパネルの **STOP** → **INPUT** → **STOP** → **INPUT** → **DIRECT** ボタンを約 1 秒以内に押します。
3. FLD が全点灯します。

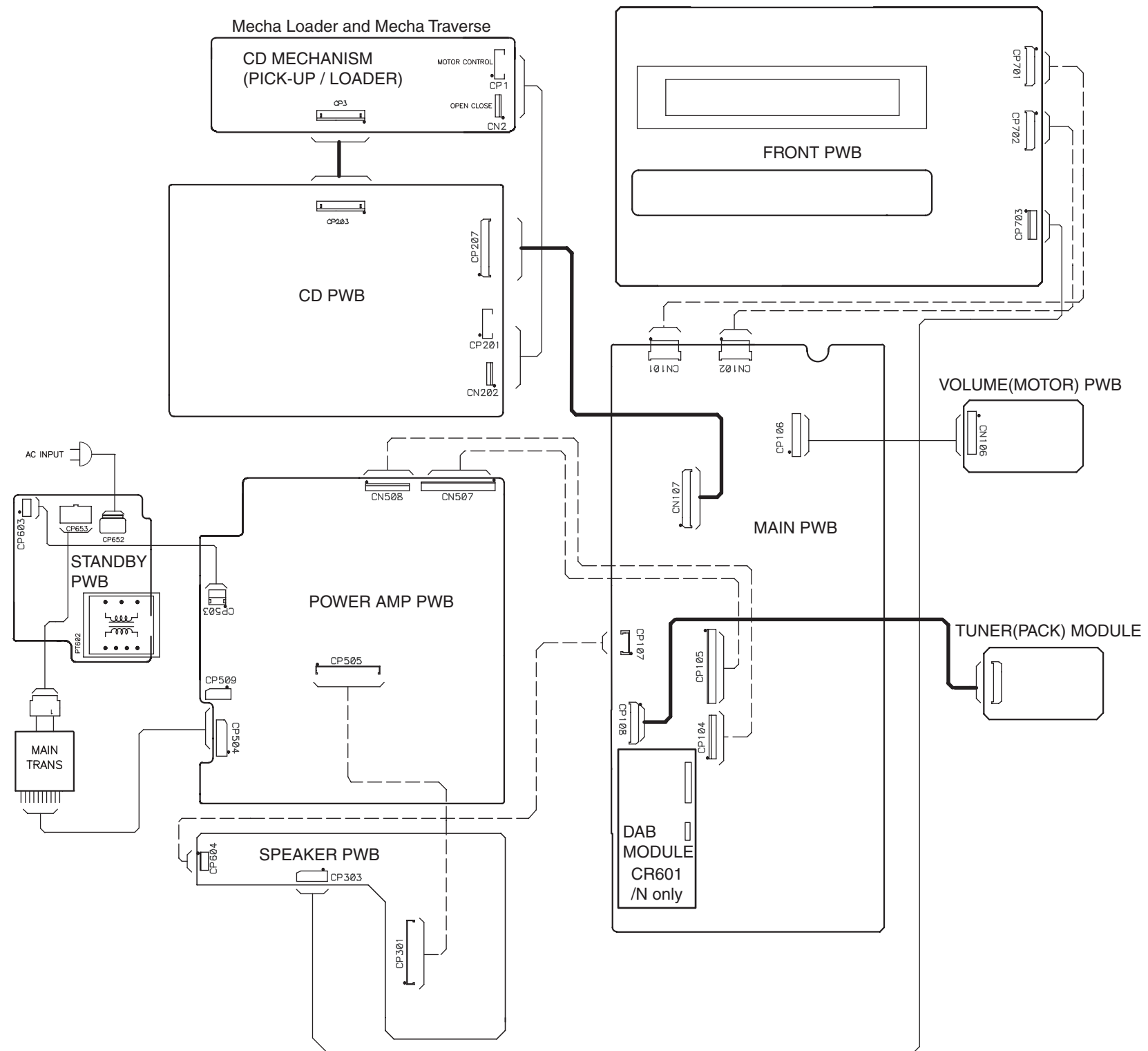
4. **Easy JOG** ツマミを回転されるとシステムマイコンのバージョンが表示されます。

5. **Easy JOG** ツマミを回転されると CD マイコンのバージョンが表示されます。

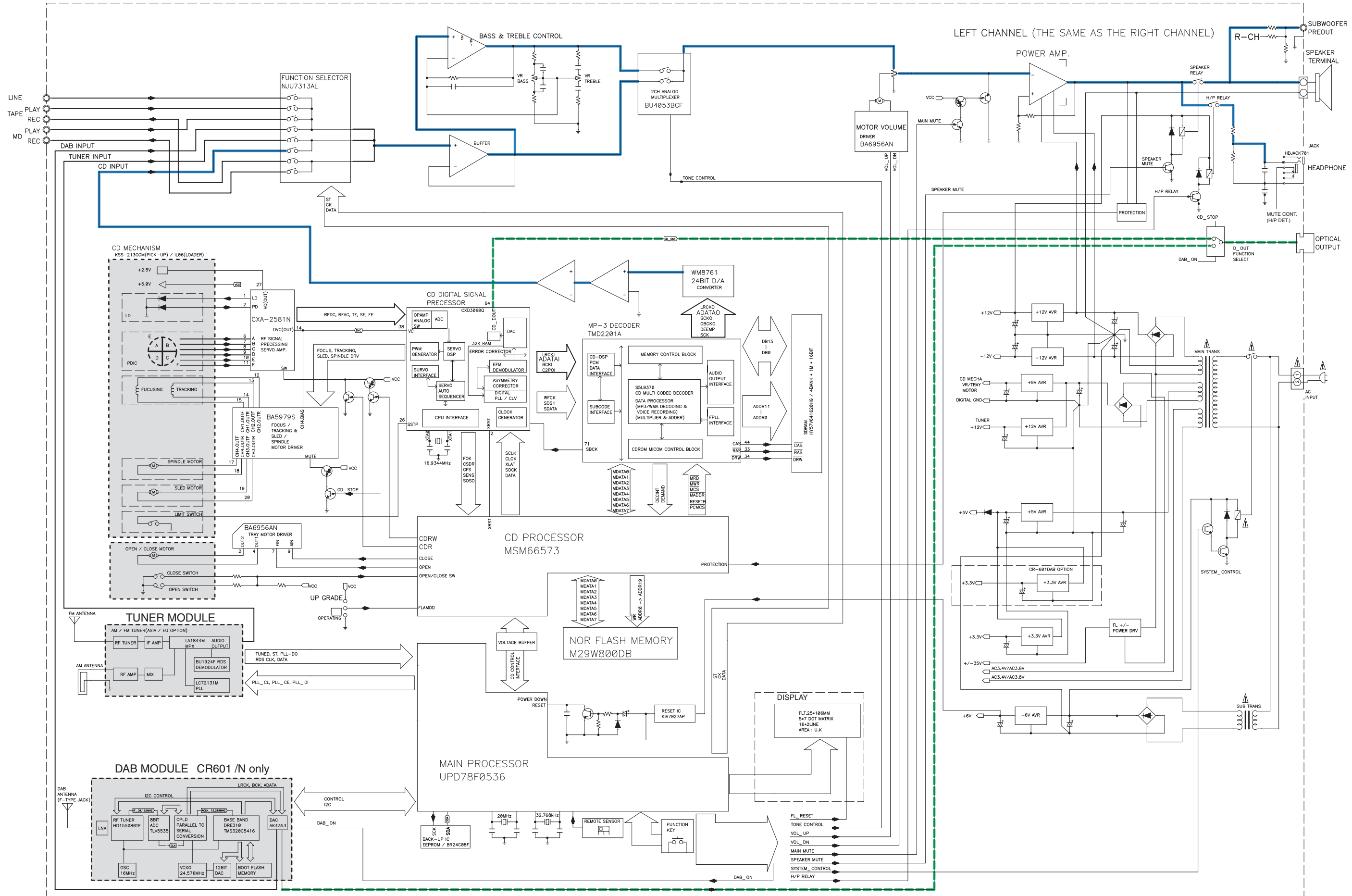
6. **Easy JOG** ツマミを回転されると DAB マイコンのバージョンが表示されます。

7. 電源を切るとサービスモードが解除されます。

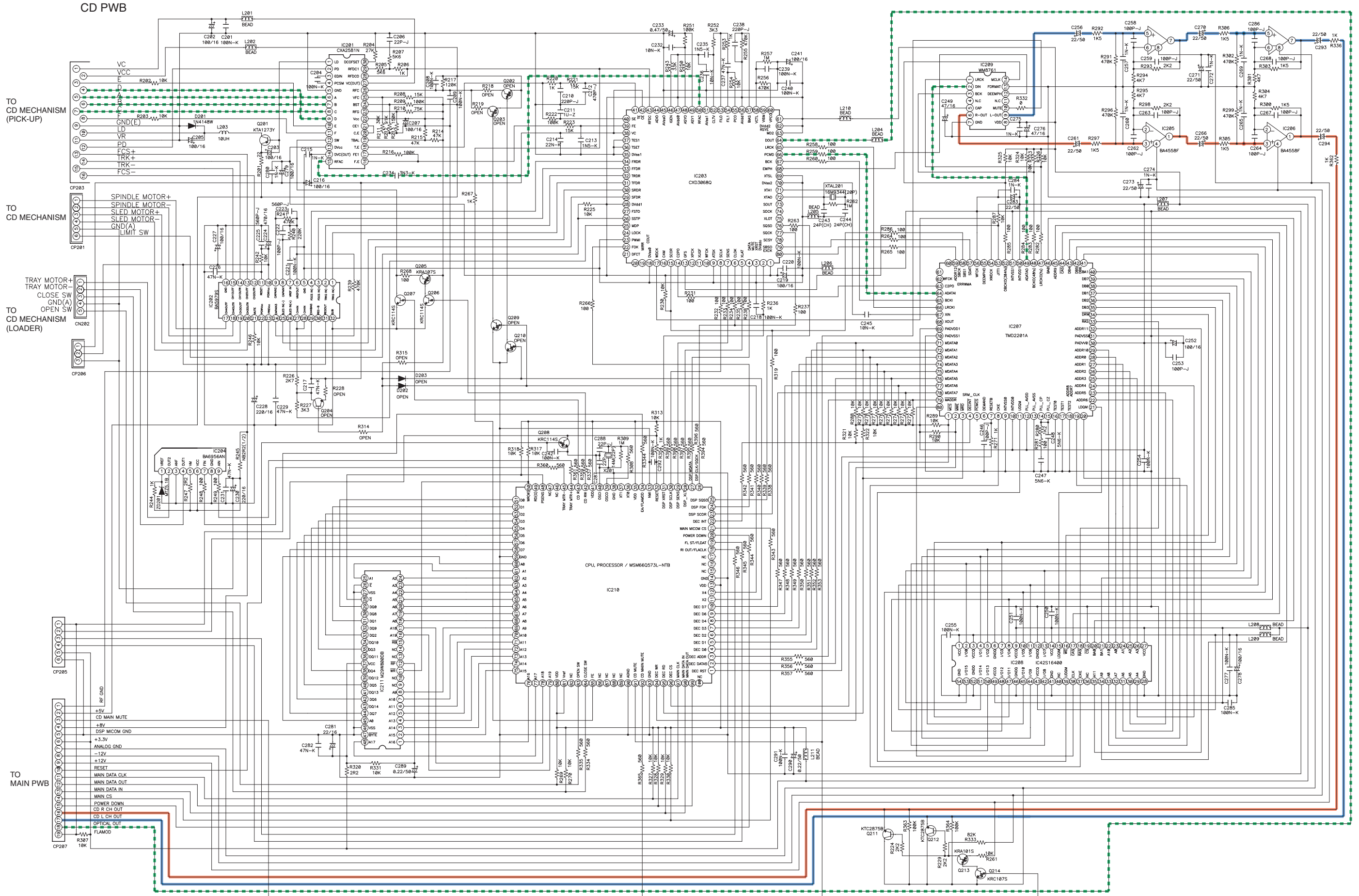
# 7. WIRING DIAGRAM



# 8. BLOCK DIAGRAM



# 9. SCHEMATIC DIAGRAM





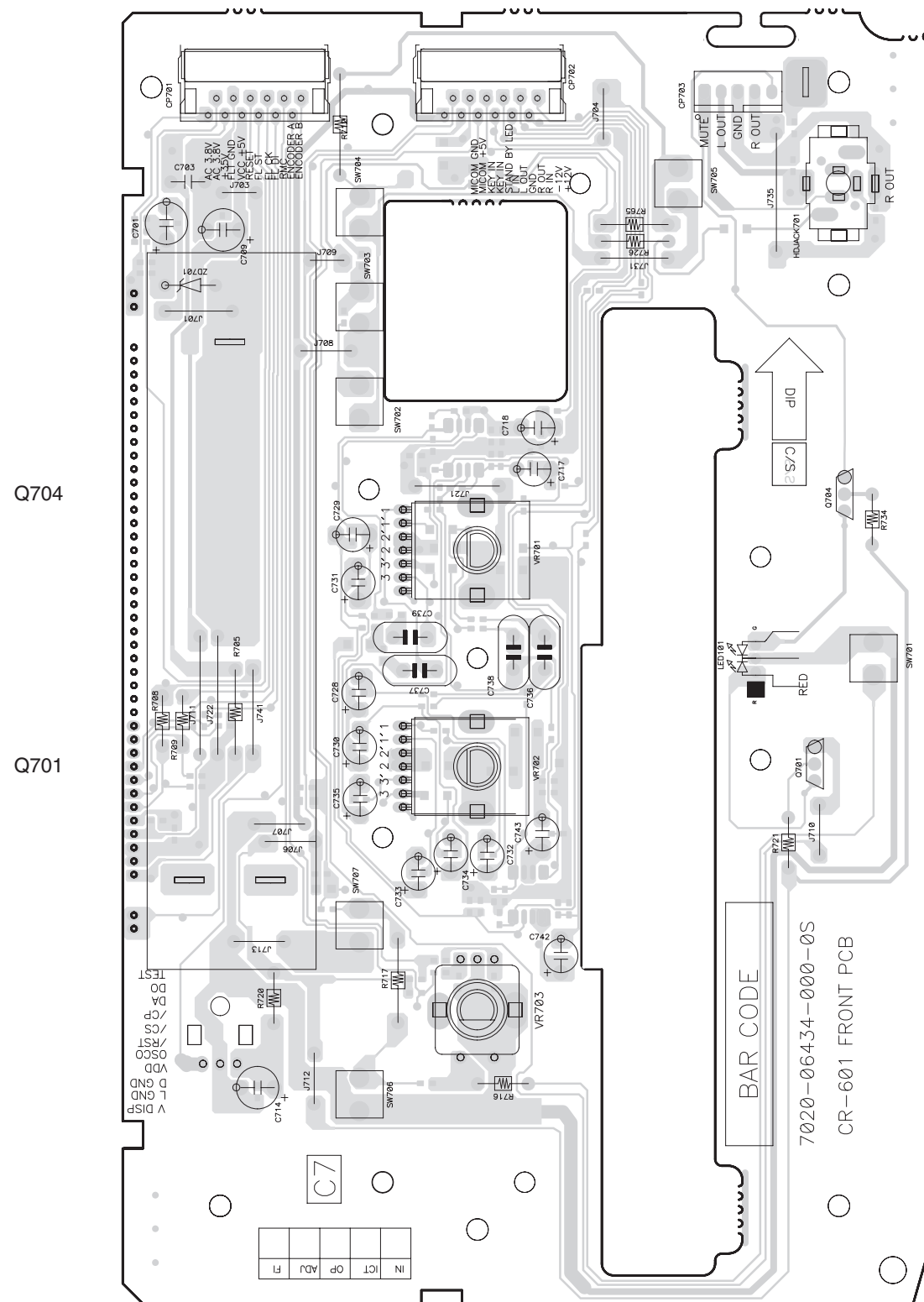




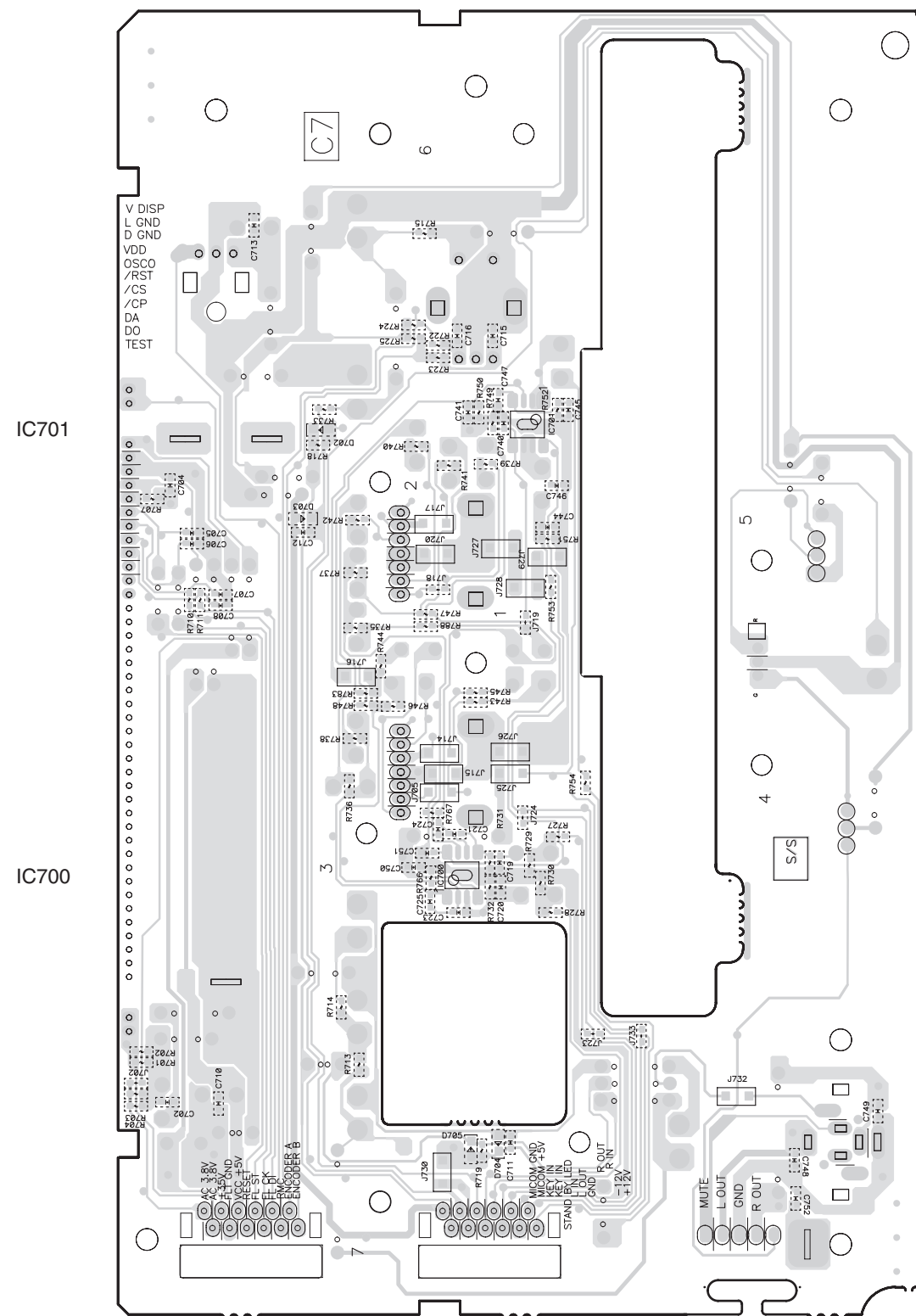




FRONT PWB A



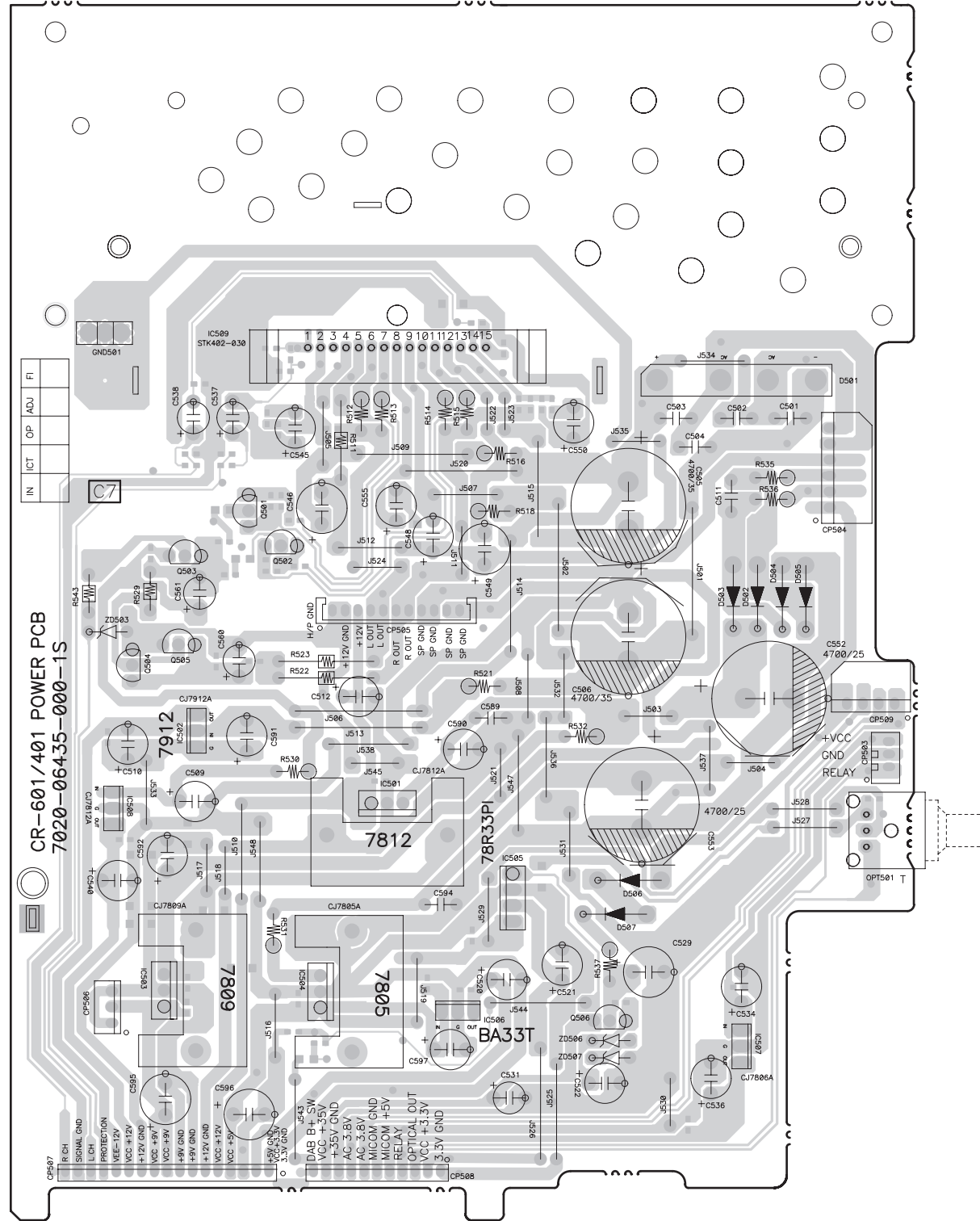
FRONT PWB B



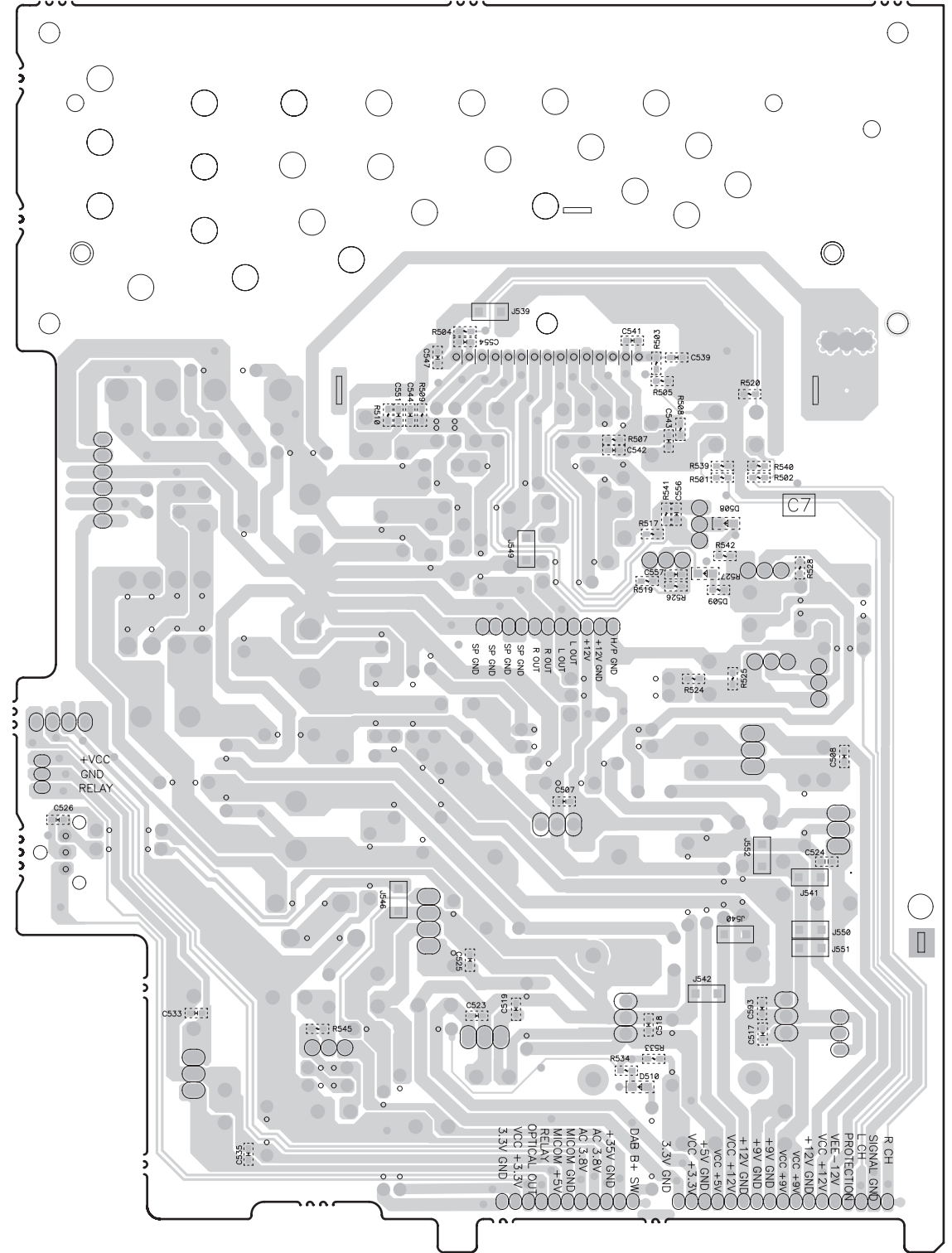
鉛フリー半田  
半田付けには、鉛フリー半田 (Sn-Ag-Cu) を使用してください。  
**Lead-free Solder**  
When soldering, use the Lead-free Solder (Sn-Ag-Cu).

**POWER AMP PWB A**

Q503 Q501 Q502 IC509  
 Q504 Q505 IC508 IC502  
 IC503 IC504 IC506 Q506 IC507  
 IC501 IC505

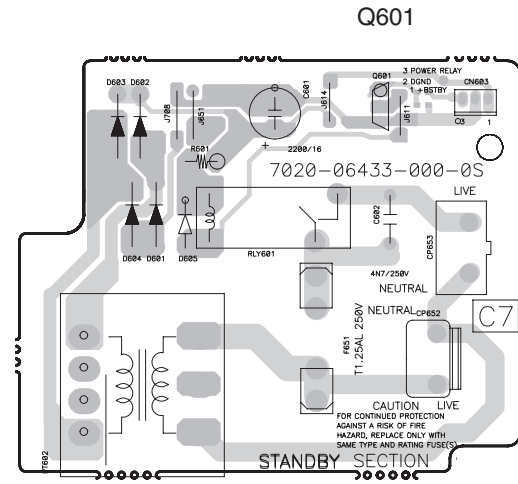


**POWER AMP PWB B**

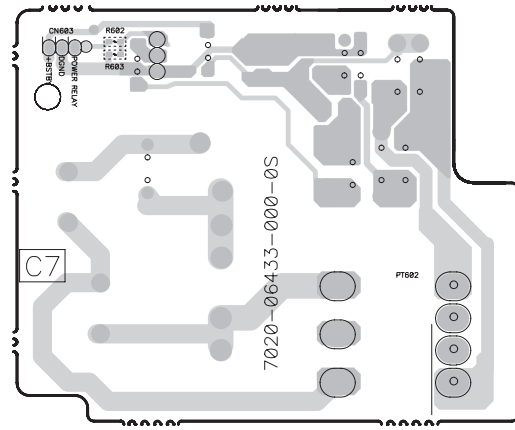


**鉛フリー半田**  
 半田付けには、鉛フリー半田 (Sn-Ag-Cu) を使用してください。  
**Lead-free Solder**  
 When soldering, use the Lead-free Solder (Sn-Ag-Cu).

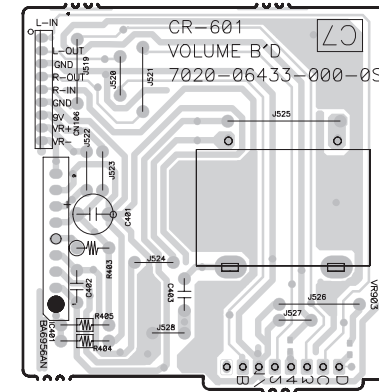
STANDBY PWB A



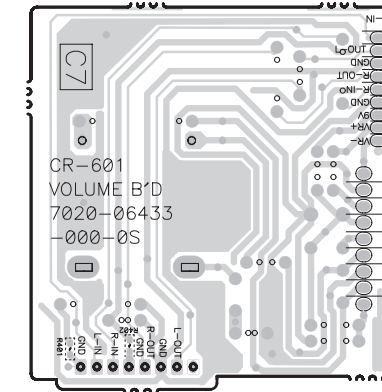
STANDBY PWB B



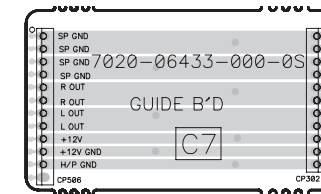
VOLUME PWB A  
IC401



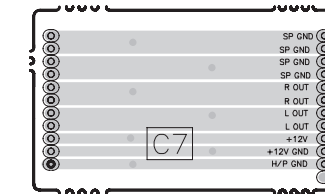
VOLUME PWB B



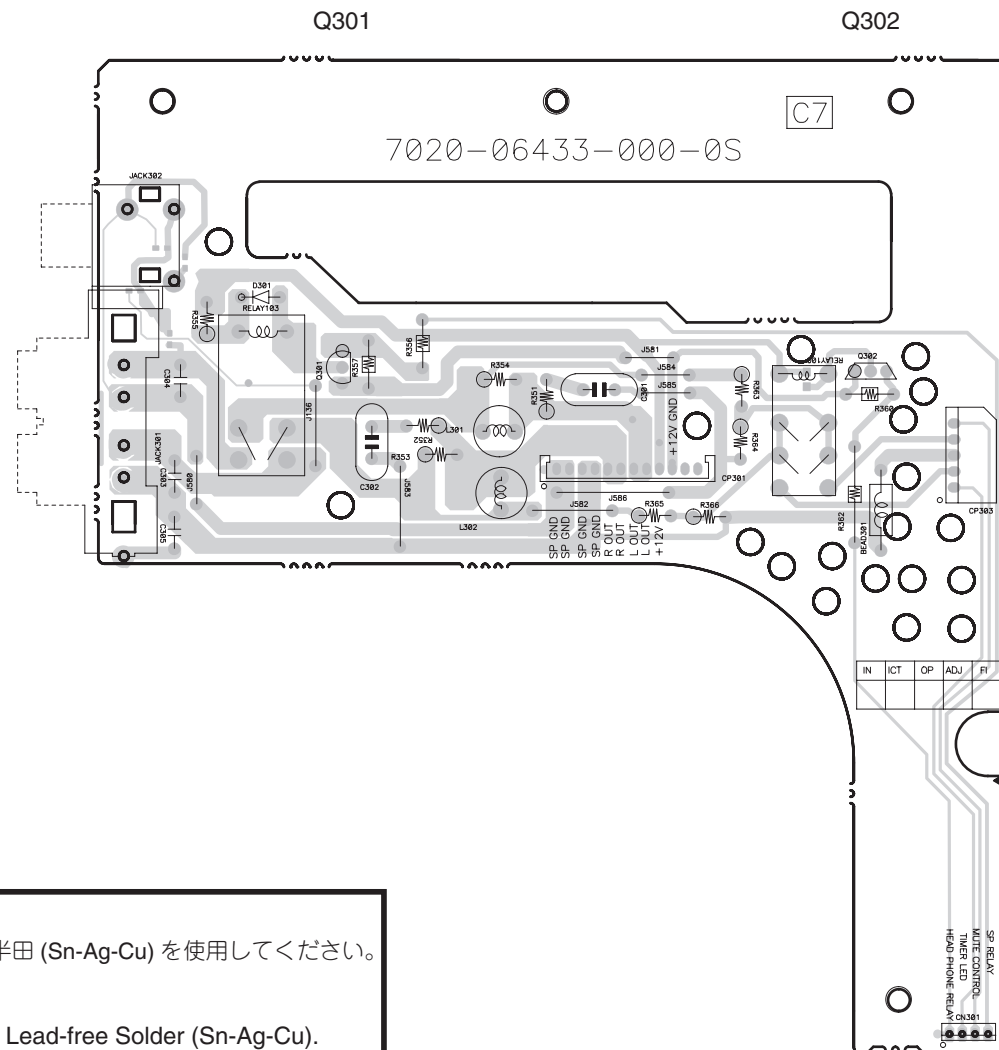
GUIDE PWB A



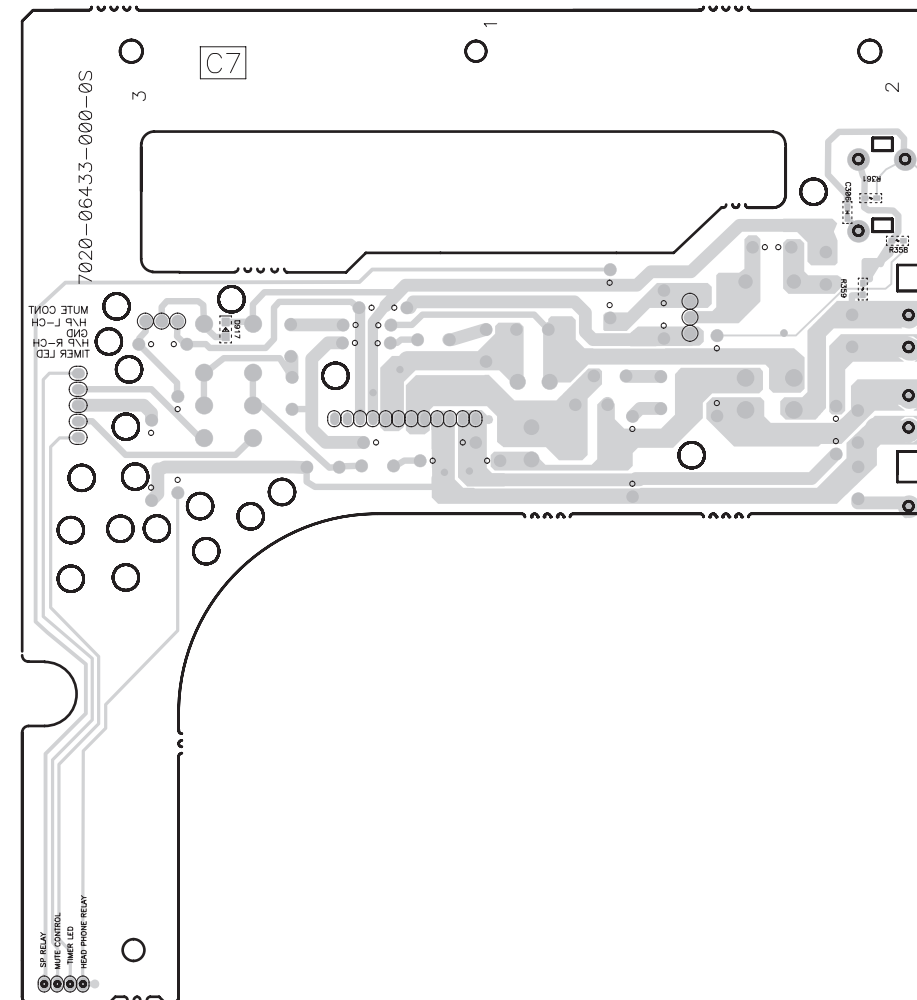
GUIDE PWB B



SPEAKER PWB A



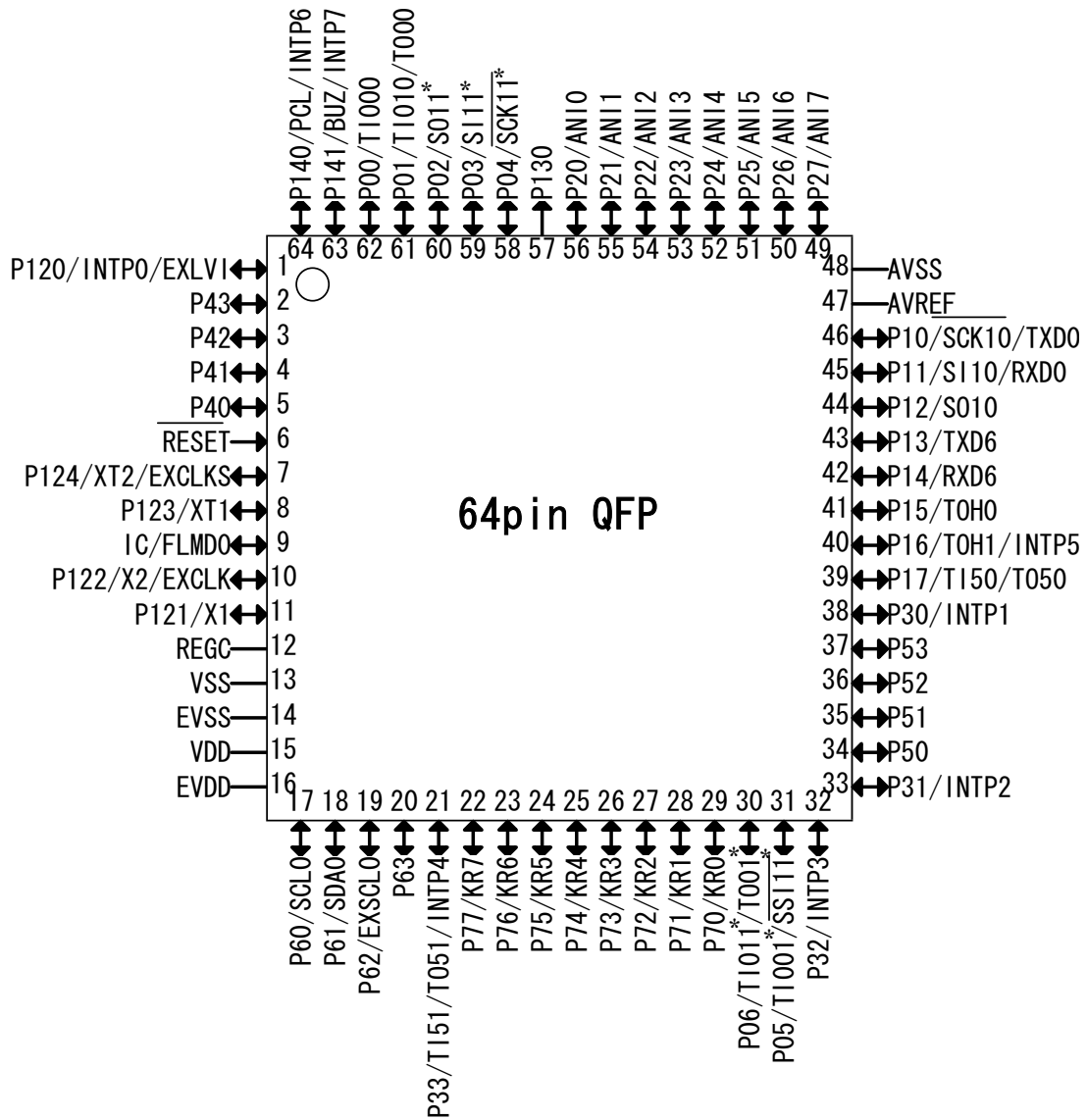
SPEAKER PWB B



鉛フリー半田  
半田付けには、鉛フリー半田 (Sn-Ag-Cu) を使用してください。  
**Lead-free Solder**  
When soldering, use the Lead-free Solder (Sn-Ag-Cu).

# 11. MICROPROCESSOR AND IC DATA

IC102 :  $\mu$ PD78F0536



\*:  $\mu$ PD78F0537/0536/0535/0534 only

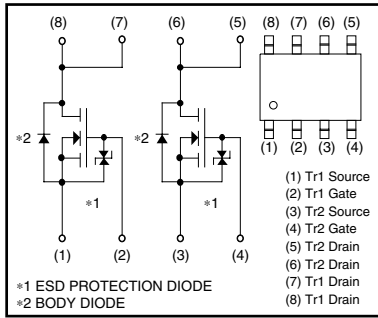
Pin No.	Name	Description	I/O
1	Pown Down	pown down check	Input
2	Main_Mute	Control Main Mute	Output
3	SP_Realy	Control Speaker Relay	Output
4	Power_Relay	Control Power Relay	Output
5	Optical_Mute	Selection Optical between CD and DAB	Output
6	RESET		
7	XT2		
8	XT1		
9	FLMD0		
10	X2		
11	X1		
12	REGC		
13	Vss		
14	Evss		
15	Vdd		
16	Evdd		

**IC102 :  $\mu$ PD78F0536**

Pin No.	Name	Description	I/O
17	DAB_SCL	Communication Clock with DAB module	Output
18	DAB_Data	Communication Data with DAB module	Input/Output
19	DAB_Power	Power Control with DAB module	Output
20	DAB_On	Control DAB module	Output
21	RDS_CLK	Input RDS CLK	Input
22	RDS_Data	Input RDS Data	Input
23	Tened	Tuner Tuned Check	Input
24	Tuner_CE	Communication CE with Tuner	Output
25	Tuner_Do	Communication Data with Tuner	Input
26	Tuner_CLK / Func_CLK	Communication Clock with Tuner	Output
27	Tuner_Di / Func_Data	Communication Data with Tuner	Output
28	CD_Power_Down	CD MICOM Power Down	Output
29	CD_Reset	CD MICOM RESET	Output
30	EEPROM_CLK	Communication Clock with EEPROM	Output
31	EEPROM_DATA	Communication Data with EEPROM	Input/Output
32	CD_CS	Communication with CD	Input
33	Stereo	Check Tuner Stereo	Input
34	Motor_VR-	Control Motor Volume	Output
35	Motor_VR+	Control Motor Volume	Output
36	Func_ST	Communication ST with Function IC	Output
37	H/P Detect	Check Headpone	Input
38	Protection	Check Protection	Input
39	Standby_LED1	Control Standby LED	Output
40	FL_Reset	FL RESET	Output
41	FL_ST	Communication ST with FL	Output
42	Encoder B	Check Encoder	Input
43	Encoder A	Check Encoder	Input
44	FL_Data	Communication Data with FL	Output
45	NC	Not Connect	
46	FL_CLK	Communication Clock with FL	Output
47	AVref		
48	Avss		
49	NC	Not Connect	
50	NC	Not Connect	
51	NC	Not Connect	
52	NC	Not Connect	
53	Area Option	Option to distinguish 601/401	Input (A/D)
54	NC	Not Connect	
55	Key2	Key Input	Input (A/D)
56	Key1	Key Input	Input (A/D)
57	CD_Upgrade	CD upgrade, Control Nomal Operation	Output
58	CD_CLK	Communication Clock with CD $\mu$ -P	Input
59	CD_Dout	Communication Data with CD $\mu$ -P	Input
60	CD_Din	Communication Data with CD $\mu$ -P	Output
61	Standby_LED2	Control Standby LED	Output
62	Remocon	Input Remocon	Input
63	H/P_Mute	Headpone mute control	Output
64	Source Direct	Control Tone Direct	Output

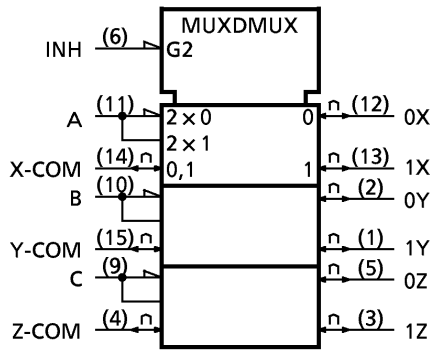
**IC105 : SP8K5TB**

Switching (30V, 3.5A)

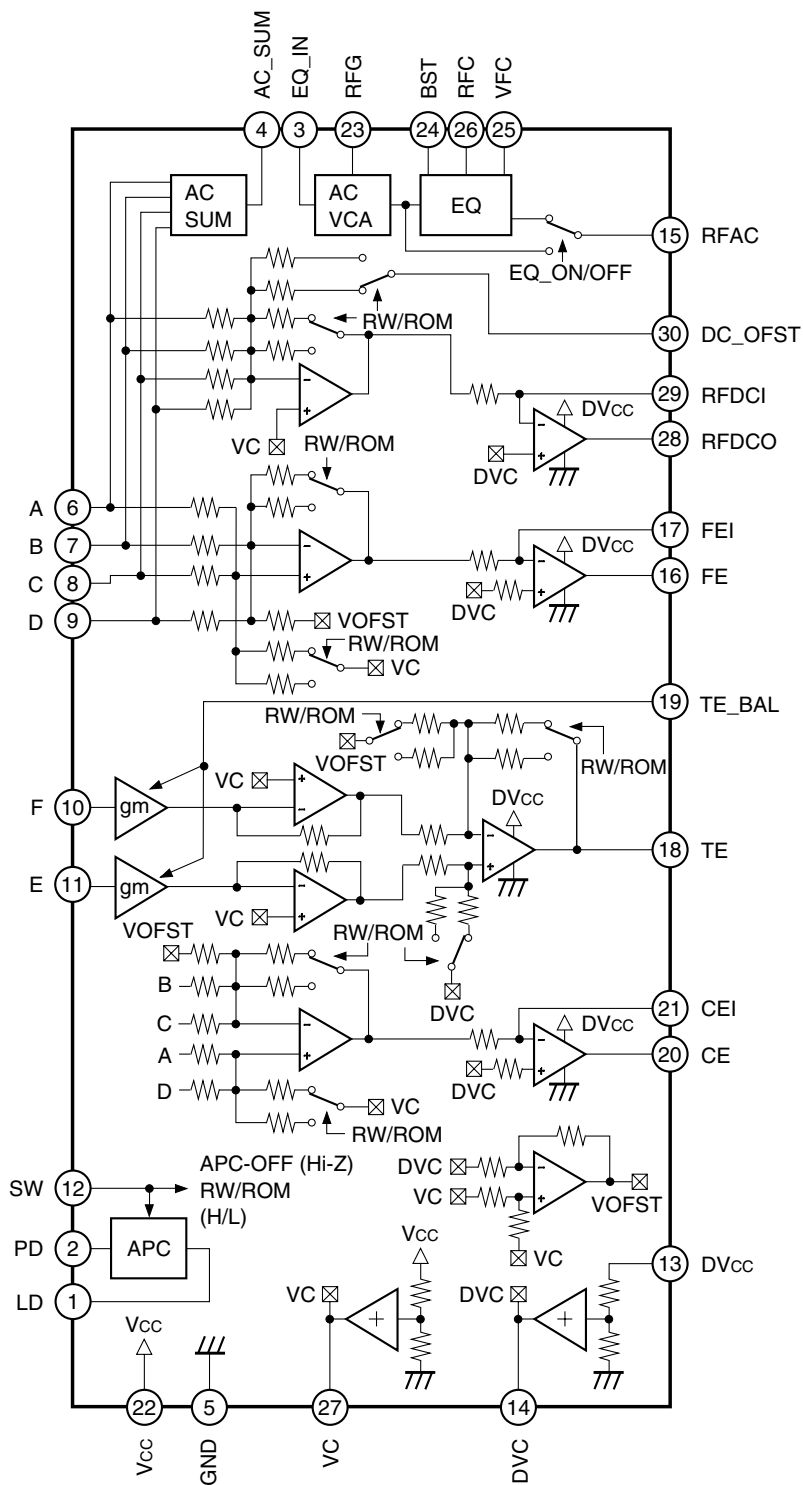


\*A protection diode is included between the gate and the source terminals to protect the diode against static electricity when the product is in use. Use the protection circuit when the fixed voltages are exceeded.

**IC112 : BU4053BCFV**



CONTROL INPUTS				ON
INHIBIT	C*	B	A	
L	L	L	L	0X,0Y,0Z
L	L	L	H	1X,0Y,0Z
L	L	H	L	0X,1Y,0Z
L	L	H	H	1X,1Y,0Z
L	H	L	L	0X,0Y,1Z
L	H	L	H	1X,0Y,1Z
L	H	H	L	0X,1Y,1Z
L	H	H	H	1X,1Y,1Z
H	X	X	X	NONE

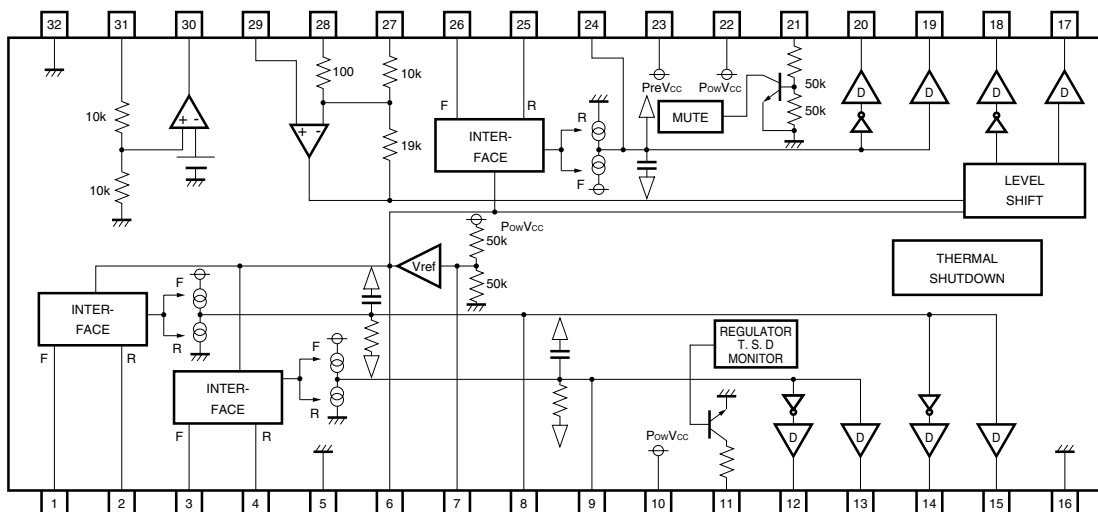




**IC201 : CXA2581N**

Pin No.	Symbol	I/O	Description
1	LD	O	APC amplifier output.
2	PD	I	APC amplifier input.
3	EQ_IN	I	RFAC system VCA block and EQ block input.
4	AC_SUM	O	RFAC system RF SUM output.
5	GND	I	GND.
6	A	I	A signal input.
7	B	I	B signal input.
8	C	I	C signal input.
9	D	I	D signal input.
10	E	I	E signal input.
11	F	I	F signal input.
12	SW	I	Mode switching signal input.
13	DV <sub>cc</sub>	I	DV <sub>cc</sub> .
14	DVC	O	DVC output.
15	RFAC	O	RFAC signal output.
16	FE	O	Focus error signal output.
17	FEI	I	FE amplifier virtual ground.
18	TE	O	Tracking error signal output.
19	TE_BAL	I	TE balance adjustment.
20	CE	O	Center error signal output.
21	CEI	I	CE amplifier virtual ground.
22	V <sub>cc</sub>	I	V <sub>cc</sub> .
23	RFG	I	RFAC system VCA block low frequency gain adjustment.
24	BST	I	EQ boost level adjustment.
25	VFC	I	EQ cut-off frequency adjustment.
26	RFC	I	EQ cut-off frequency adjustment.
27	VC	O	VC voltage output.
28	RFDCO	O	RFDC signal output.
29	RFDCI	I	RFDC amplifier virtual ground.
30	DC_OFST	I	RFDC signal output offset adjustment.

**IC202 : BA5979S**



IC203 : CXD3068Q

Pin Description

Pin No	Symbol		I/O	Description
1	DVDD0	—		Digital power supply.
2	XRST	I		System reset. Reset when low.
3	MUTE	I		Mute input (low: off, high: on)
4	DATA	I		Serial data input from CPU.
5	XLAT	I		Latch input from CPU. Serial data is latched at the falling edge.
6	CLOCK	I		Serial data transfer clock input from CPU.
7	SENS	O	1, 0	SENS output to CPU.
8	SCLK	I		SENS serial data readout clock input.
9	ATSK	I/O	1, 0	Anti-shock input/output.
10	WFCK	O	1, 0	WFCK output.
11	XUGF	O	1, 0	XUGF output. MNT0 or RFCK is output by switching with the command.
12	XPCK	O	1, 0	XPCK output. MNT1 is output by switching with the command.
13	GFS	O	1, 0	GFS output. MNT2 or XROF is output by switching with the command.
14	G2PO	O	1, 0	G2PO output. MNT3 or GTOP is output by switching with the command.
15	SCOR	O	1, 0	Outputs a high signal when either subcode sync S0 or S1 is detected.
16	C4M	O	1, 0	4.2336MHz output. 1/4 frequency division output for V16M in CAV-W mode or variable pitch mode.
17	WDCK	O	1, 0	Word clock output. $f = 2Fs$ . GRSCOR is output by the command switching.
18	DVSS0	—	—	Digital GND.
19	COUT	I/O	1, 0	Track count signal I/O.
20	MIRR	I/O	1, 0	Mirror signal I/O.
21	DFCT	I/O	1, 0	Detect signal I/O.
22	FOK	I/O	1, 0	Focus OK signal I/O.
23	PWMI	I		Spindle motor external control input.
24	LOCK	I/O	1, 0	GFS is sampled at 460Hz; when GFS is high, this pin outputs a high signal. If GFS is low eight consecutive samples, this pin outputs low. Input when LKIN = 1.
25	MDP	O	1, Z, 0	Spindle motor servo control output.
26	SSTP	I		Disc innermost track detection signal input.
27	FSTO	O	1, 0	2/3 frequency division output for XTAI pin.
28	DVDD1	—	—	Digital power supply.
29	SFDR	O	1, 0	Sled drive output.
30	SRDR	O	1, 0	Sled drive output.
31	TFDR	O	1, 0	Tracking drive output.
32	TRDR	O	1, 0	Tracking drive output.
33	FFDR	O	1, 0	Focus drive output.
34	FRDR	O	1, 0	Focus drive output.
35	DVSS1	—	—	Digital GND.
36	TEST	I		Test. Normally, GND.
37	TES1	I		Test. Normally, GND.
38	VC	I		Center voltage input.
39	FE	I		Focus error signal input.
40	SE	I		Sled error signal input.
41	TE	I		Tracking error signal input.
42	CE	I		Center servo analog input.
43	RFDC	I		RF signal input.
44	ADIO	O	Analog	Test. No connected.
45	AVSS0	—	—	Analog GND.
46	IGEN	I		Constant current input for operational amplifier.
47	AVDD0	—	—	Analog power supply.
48	ASYO	O	1, 0	EFM full-swing output. (low = Vss, high = VDD)
49	ASYI	I		Asymmetry comparator voltage input.
50	RFAC	I		EFM signal input.
51	AVSS1	—	—	Analog GND.
52	CLTV	I		Multiplier VCO1 control voltage input.

IC203 : CXD3068Q

53	FILO	O	Analog	Master PLL filter output (slave = digital PLL).
54	FILI	I		Master PLL filter input.
55	PCO	O	1, Z, 0	Master PLL charge pump output.
56	AVDD1	—	—	Analog power supply.
57	BIAS	I		Asymmetry circuit constant current input.
58	VCTL	I		Wide-band EFM PLL VCO2 control voltage input.
				Wide-band EFM PLL VCO2 oscillation output. Serves as wide-band EFM
59	V16M	I/O	1, 0	PLL clock input by switching with the command.
60	VPCO	O	1, Z, 0	Wide-band EFM PLL charge pump output.
61	DVDD2	—	—	Digital power supply.
62	ASYE	I		Asymmetry circuit on/off (low = off, high = on).
63	MD2	I		Digital Out on/off control (low = off, high = on).
64	DOUT	O	1, 0	Digital Out output.
65	LRCK	O	1, 0	D/A interface. LR clock output. $f = F_s$
66	PCMD	O	1, 0	D/A interface. Serial data output (two's complement, MSB first).
67	BCK	O	1, 0	D/A interface. Bit clock output. Outputs a high signal when the playback disc has emphasis, and a low
68	EMPH	O	1, 0	Outputs a high signal when the playback disc has emphasis, and a low signal when there is no emphasis.
69	XTSL	I		Crystal selection input. Low when the crystal is 16.9344MHz; high when it is 33.8688MHz.
70	DVSS2	—	—	Digital GND.
71	XTAI	I		Crystal oscillation circuit input. When the master clock is input externally, input it from this pin.
72	XTAO	O		Crystal oscillation circuit output.
73	SOUT	O	1, 0	Serial data output in servo block.
74	SOCK	O	1, 0	Serial data readout clock output in servo block.
75	XOLT	O	1, 0	Serial data latch output in servo block.
76	SQSO	O	1, 0	Sub-Q 80-bit, PCM peak or level data outputs. CD TEXT data output.
77	SQCK	I		SQSO readout clock input.
78	SCSY	I		GRSCOR resynchronization input.
79	SBSO	O	1, 0	Sub-Q P to W serial output.
80	EXCK	I		SBSO readout clock input.

Notes)

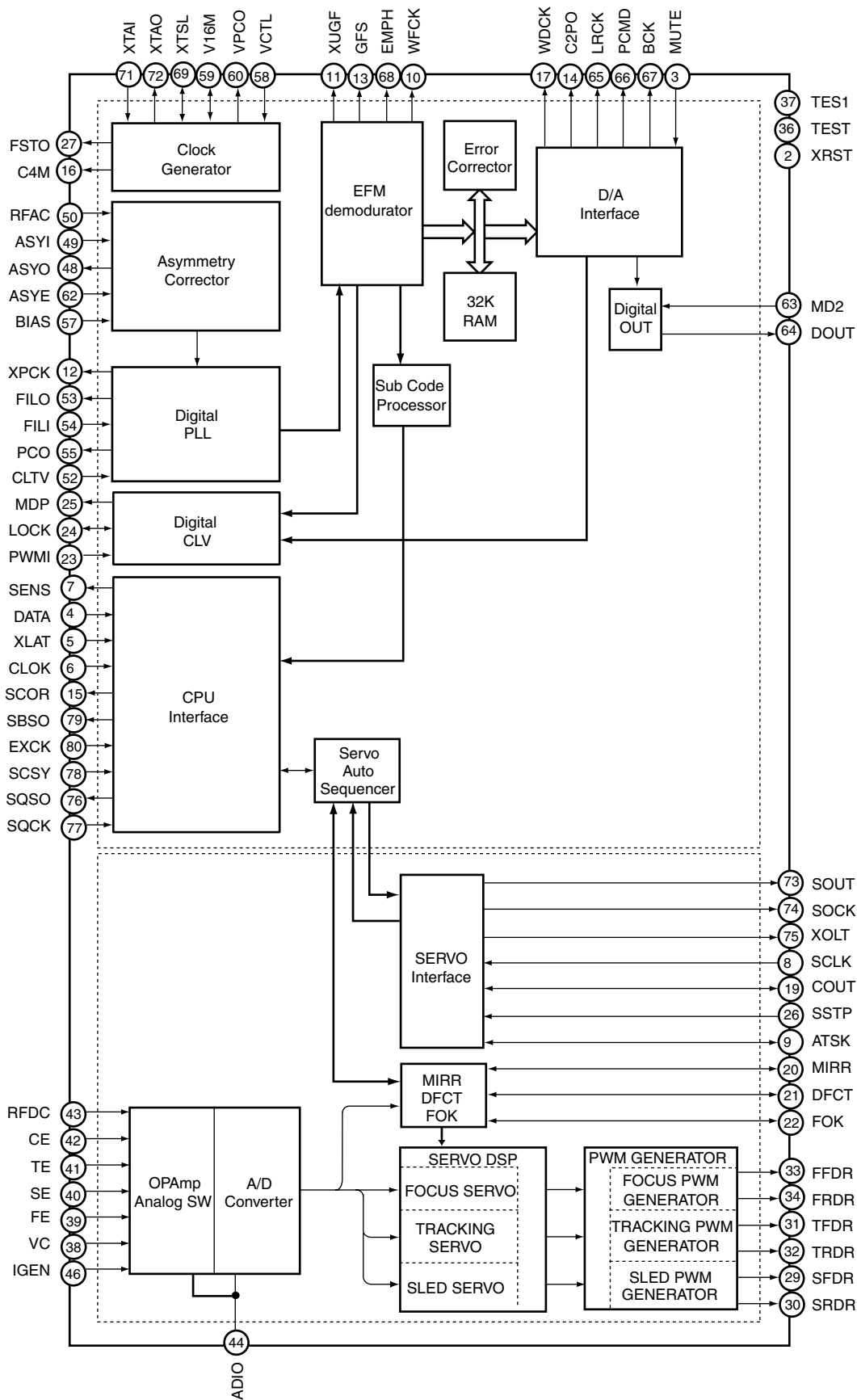
PCMD is a MSB first, two's complement output.

XUGF is the frame sync obtained from the EFM signal, and is negative pulse. It is the signal before sync protection.

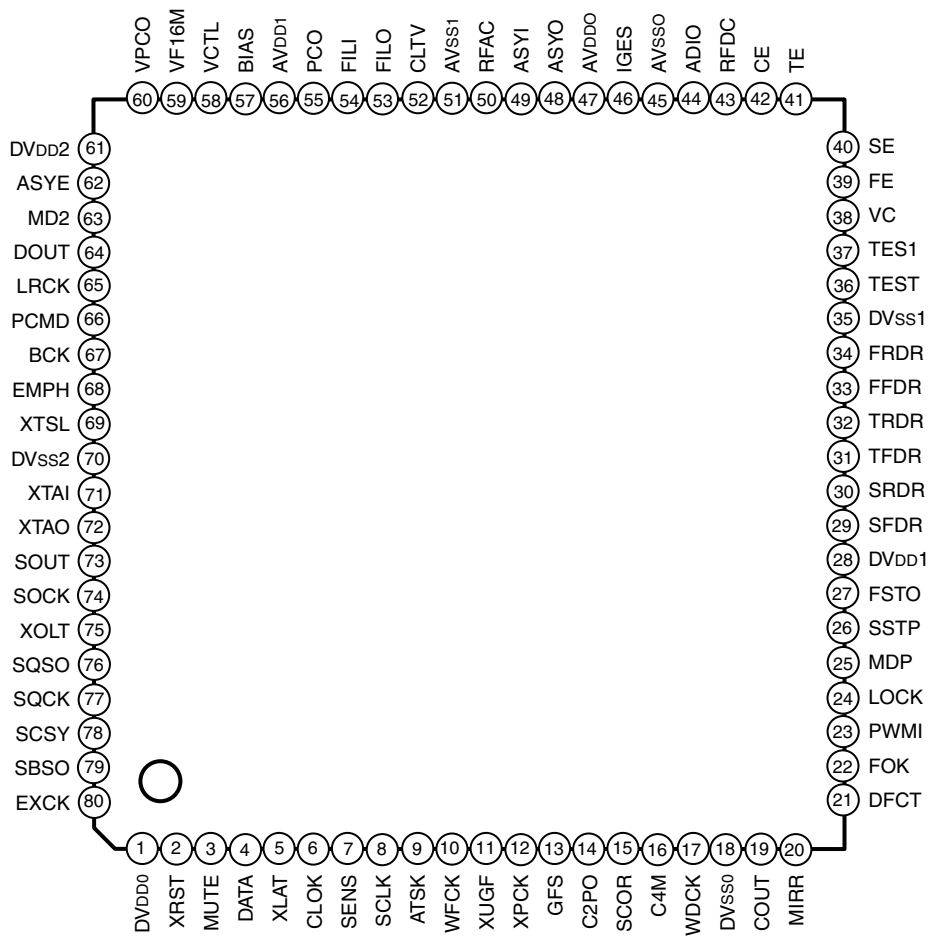
XPCK is the inverse of the EFM PLL clock. The PLL is designed so that the falling edge and the EFM signal transition point coincide.

The GFS signal goes high when the frame sync and the insertion protection timing match.

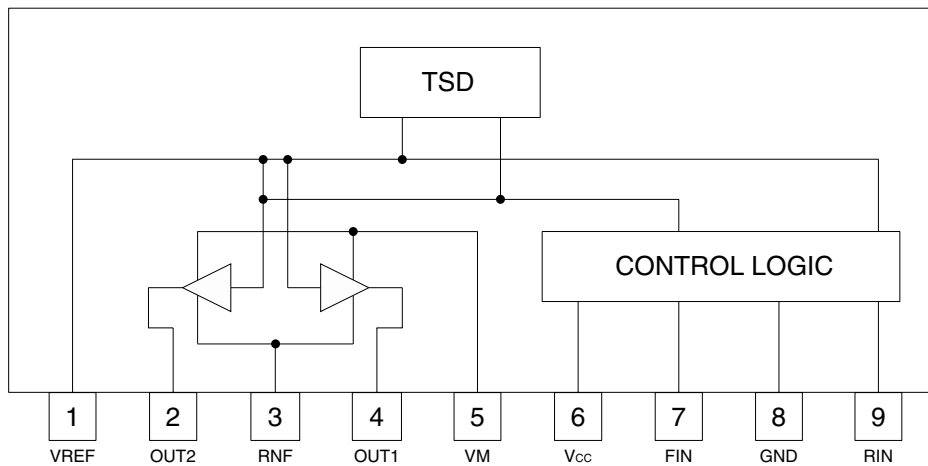
C2PO represents the data error status.

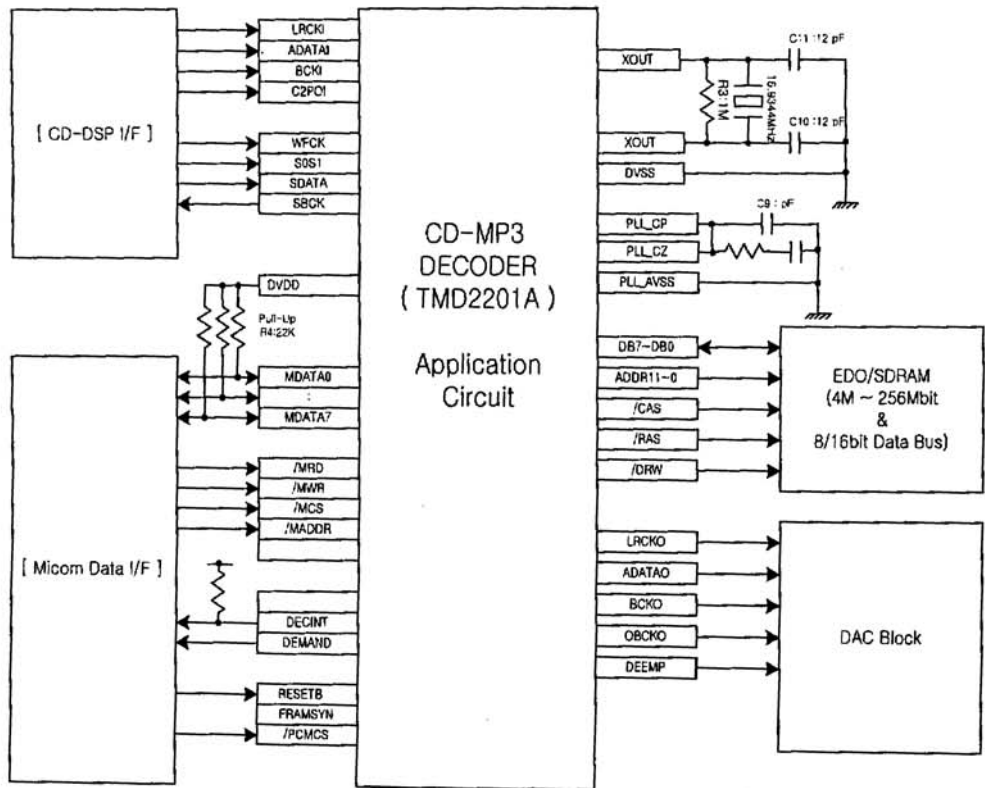
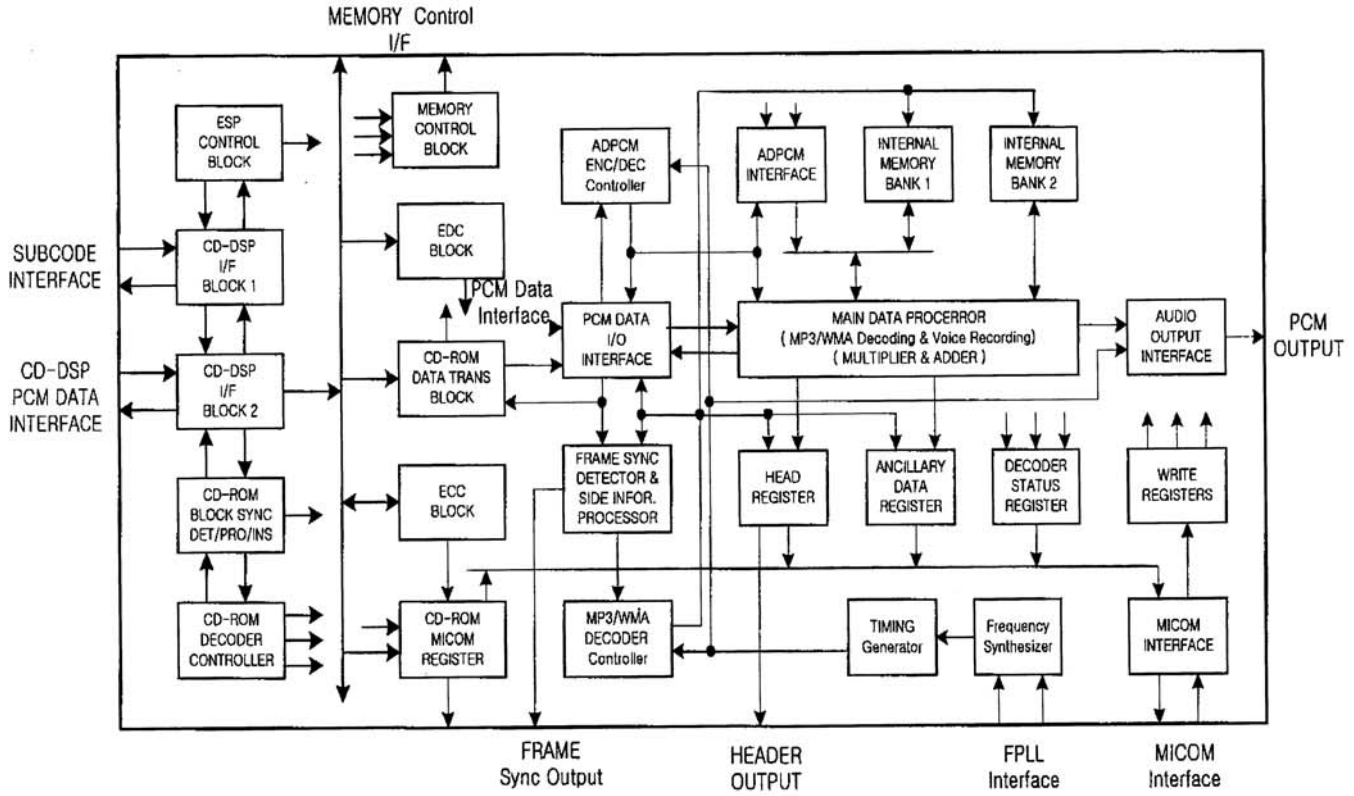


**IC203 : CXD3068Q**



**IC204 : BA6956AN**





Pin No.	PAD Name	I/O	Function
1	/MCS	DI	MICOM Data Chip Selection Signal.
2	/MWE	DI	Micom Data Write Enable Signal.
3	/MRD	DI	Micom Data Read Enable Signal.
4	/DECINT	DO	CD-MP3/WMA Decoder Interrupt Signal.
5	/PCMCS	DI/O	For the Flash Memory Type MP3 Player -. External PCM Data Input Selection Signal ('L' Active).
6	DEMAND	DI/O	For the Flash Memory Type MP3/WMA Player -. Shows the Input Buffer state for the MP3/WMA decoder. If the buffer has some room to spare and the MP3 decoder is ready to receive the data, the pin state is active "H" and the input bit stream is accepted. But no room to spare, the pin state is "L" and the bit stream input data is not accepted. Therefore the microcontroller unit should monitor this pin state and send the input bit stream when the pin state is high.
7	RESETB	DI	System Reset Signal ('L' Active).
8	CKE	DO	Sync DRAM Clock Enable Signal
9	INTVSS0	DP	Digital Ground for Logic
10	INTVDD0	DP	Digital Power for Logic
11	UDQM	DO	Sync DRAM Upper Data Input/Output Mask
12	PLL_AVDD	AP	Analog Power for PLL
13	PLL_AVSS	AP	Analog Ground for PLL
14	PLL_CP	AI	Low Pass Filter Application CP for PLL
15	PLL_CZ	AI	Low Pass Filter Application CZ for PLL
16	TEST0	DI	TEST PAD 0(Normal Low)
17	TEST1	DI	TEST PAD 1(Normal Low).
18	TEST2	DI	TEST PAD 2(Normal Low).
19	ADDR8	DO	DRAM Address 8.
20	ADDR7	DO	DRAM Address 7.
21	LDQM	DO	Sync DRAM Low Data Input/Output Mask
22	ADDR6	DO	DRAM Address 6.
23	ADDR5	DO	DRAM Address 5.
24	ADDR4	DO	DRAM Address 4.
25	ADDR3	DO	DRAM Address 3.
26	ADDR2	DO	DRAM Address 2.
27	ADDR1	DO	DRAM Address 1.
28	ADDR0	DO	DRAM Address 0.
29	ADDR10	DO	DRAM Address 10.
30	PADVDD0	DP	Digital Power for PAD.
31	PADVSS0	DP	Digital Ground for PAD.
32	ADDR11	DO	DRAM Address 11.
33	/RAS	DO	DRAM RAS Signal(Low Active).
34	/DRW	DO	DRAM Data Write Enable Signal(Write: Low Active).
35	DB3	DI/O	DRAM DATA BUS 3
36	DB2	DI/O	DRAM DATA BUS 2
37	DB1	DI/O	DRAM DATA BUS 1
38	DB0	DI/O	DRAM DATA BUS 0
39	DB7	DI/O	DRAM DATA BUS 7
40	BA1	DO	Sync DRAM Bank Selection 1
41	DB6	DI/O	DRAM DATA BUS 6
42	DB5	DI/O	DRAM DATA BUS 5
43	DB4	DI/O	DRAM DATA BUS 4
44	/CAS	DO	DRAM CAS Signal(Low Active).
45	ADDR9	DO	DRAM Address 9.
46	BA0	DO	Sync DRAM Bank Selection 0
47	LRCKO	DO	LRCK Output Signal for Audio PCM Data
48	BCKO	DO	BCK Output Signal for Audio PCM Data

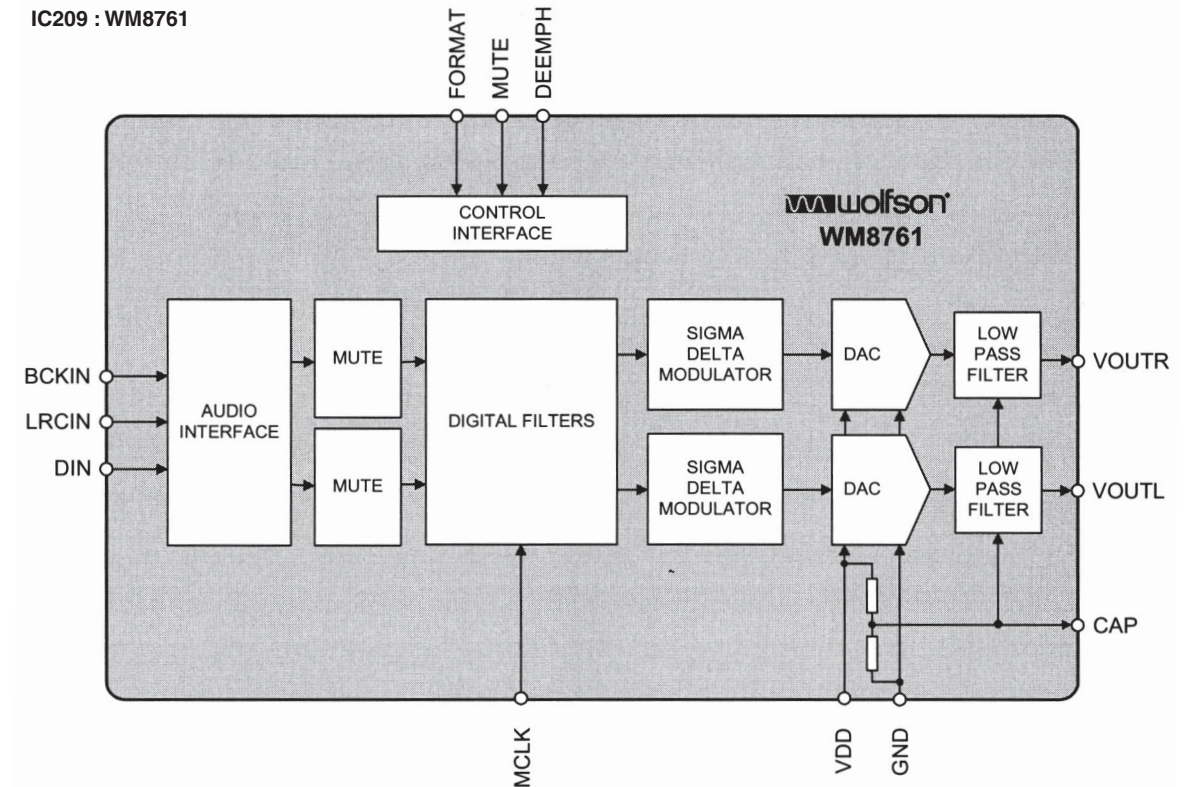
49	ADATAO	DO	Audio PCM Output Data.
50	INTVDD1	DP	Internal Logic Digital Power VDD 1.
51	INTVSS1	DP	Internal Logic Digital Ground VSS 1.
52	OBCKO	DO	Over-Sampling BCK Output Signal for Audio PCM Data
53	JITTI	DI	CD Jitter Signal Input
54	XWDCK	DO	88.2KHz or 44.1KHz Clock Signal Out (Clock Frequency is selected by internal register setting)
55	DEEMPHO	DO	MP3 Decoding De-Emphasis Output
56	WFCK	DI	CD-DSP Write Frame Clock Signal.
57	SDAT	DI	CD-DSP Subcode Data Input
58	S0S1	DI	CD-DSP Block Sync Signal Input(75Hz Signal).
59	SBCK	DO	CD-DSP Subcode Data Input Clock
60	ADDR12	DO	DRAM Address 12
61	ERRWMA	DO	WMA Error Monitoring Signal
62	FRAMSYNC	DO	MP3 Decoder Frame Sync Signal Output
63	C2PO	DI	CD-DSP C2 Pointer Data.
64	ADATAI	DI	CD-DSP PCM Data Input.
65	BCKI	DI	CD-DSP BCK Clock.
66	LRCKI	DI	CD-DSP LRCK Clock Input.
67	XIN	DI	Crystal Oscillation Input. (16.9344MHz or 33.8688MHz)
68	XOUT	DO	Crystal Oscillation Output.
69	PADVDD1	DP	Digital Power for PAD
70	PADVSS1	DP	Digital Ground for PAD
71	MDATA0	DI/DO	MICOM I/O Data Bus 0
72	MDATA1	DI/DO	MICOM I/O Data Bus 1
73	MDATA2	DI/DO	MICOM I/O Data Bus 2
74	MDATA3	DI/DO	MICOM I/O Data Bus 3
75	MDATA4	DI/DO	MICOM I/O Data Bus 4
76	MDATA5	DI/DO	MICOM I/O Data Bus 5
77	MDATA6	DI/DO	MICOM I/O Data Bus 6
78	MDATA7	DI/DO	MICOM I/O Data Bus 7
79	/MADDR	DI	The multiplexed address and data bus configuration is used for the Micom Interface. And this pin differentiates whether the bus information is an address or data. If the pin state is low, then the address information is available on the bus. If high, data information. ( 'H' : Data Signal, 'L': Address signal)
80	SRM_Clk	DO	Sync DRAM Clock

Note) Schmitt Trigger Circuitry exists at /MWE, /MRD, JITTI, S0S1, BCKI, LRCKI, WFCK Input PAD.

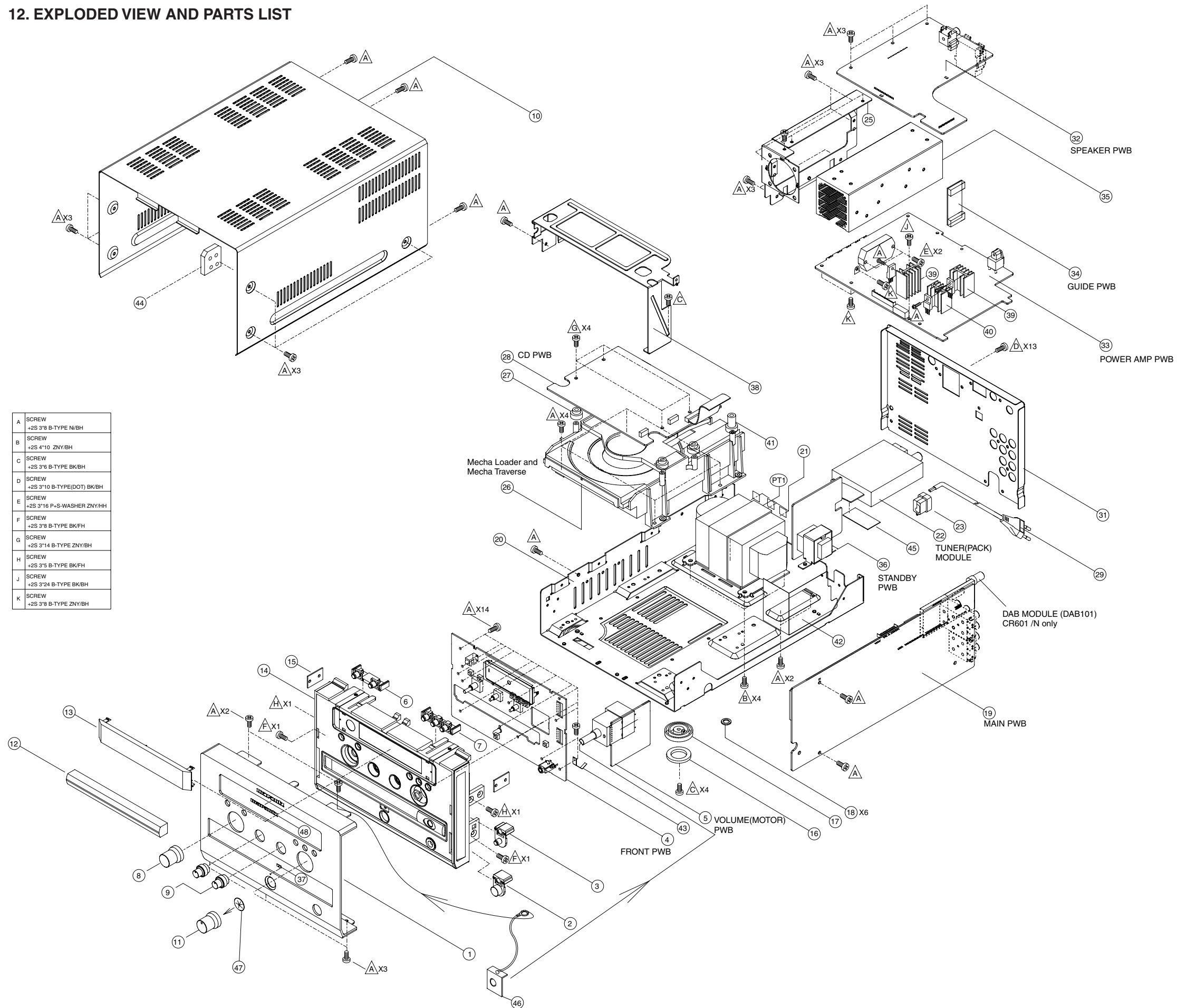
PIN	NAME	TYPE	DESCRIPTION
1	LRCIN	Digital input	Sample rate clock input
2	DN	Digital input	Serial audio data input
3	BCKIN	Digital input	Bit clock input
4	NC	No connect	No internal connection
5	CAP	Analogue output	Analogue internal reference
6	VOUTr	Analogue output	Right channel DAC output
7	GND	Supply	Negative supply
8	VDD	Supply	Positive supply
9	VOUtl	Analogue output	Left channel DAC output
10	MUTE	Digital input	Soft mute control, Internal pull down High Impedance = Automute High = Mute ON Low = Mute OFF
11	NC	No connect	No interna connection
12	DEEMPH	Digital input	De-emphasis select, Internal pull up High = de-emphasis ON Low = de-emphasis OFF
13	FORMAT	Digital input	Data input format select, Internal pull up Low = 24-bit right justified or DSP 'late' High = 16-24-bit I2S or DSP 'early'
14	MCLK	Digital input	Master clock input

Note : Digital input pins have Schmitt trigger input buffers.

IC209 : WM8761



## 12. EXPLODED VIEW AND PARTS LIST



A	SCREW +2S 3*8 B-TYPE N/BH
B	SCREW +2S 4*10 ZNY/BH
C	SCREW +2S 3*6 B-TYPE BK/BH
D	SCREW +2S 3*10 B-TYPE(DOT) BK/BH
E	SCREW +2S 3*16 P+S-WASHER ZNY/HH
F	SCREW +2S 3*8 B-TYPE BK/FH
G	SCREW +2S 3*14 B-TYPE ZNY/BH
H	SCREW +2S 3*5 B-TYPE BK/FH
J	SCREW +2S 3*24 B-TYPE BK/BH
K	SCREW +2S 3*8 B-TYPE ZNY/BH



P.C.B. NAME	POS. NO.	VERS. COLOR	PART NO. (FOR EUR)	PART NO. (MZ)	PART NAME	DESCRIPTION	
	1		00M01CW248220	00M01CW248220	PANEL	PANEL AL EXT/FRONT	3067212518010S
	2		00M01CW270220	00M01CW270220	BUTTON	AL SPIN+ABS/ONSTANDBY(KD)	5098212858000SZ
	3		00M01CW270210	00M01CW270210	BUTTON	AL SPIN+ABS/CD OPEN(KD)	5098212848000SZ
	4		nsp	nsp	PWB ASSY	FRONT PWB ASSY	
	5		nsp	nsp	PWB ASSY	VOLUME (MOTOR) PWB ASSY	
	6		00M01CW270240	00M01CW270240	BUTTON	BUTTON AL SPIN+ABS/2KEY(KD)	5098212878000SZ
	7		00M01CW270230	00M01CW270230	BUTTON	BUTTON AL SPIN+ABS/3KEY(KD)	5098212868000SZ
	8		00M01CW154230	00M01CW154230	KNOB	AL SPIN+ABS/ENTER(KD)	5088211228000SZ
	9		00M01CW154210	00M01CW154210	KNOB	AL SPIN+ABS/TREBLE BASS(KD)	5088211248000SZ
	11		00M01CW154220	00M01CW154220	KNOB	KNOB AL SPIN+ABS/VR(KD)	5088211238000SZ
	12		00M01CW063210	00M01CW063210	ESCUTCHEON	CDABSLGPH6620403LGRSPRAY	4317212741000S
	13		00M01CW158010	00M01CW158010	WINDOW	WINDOW ACRYL SMOG WINE/FLT	5070212183000S
	14		00M01CW105210	00M01CW105210	CHASSIS	ABS(LGPH6620403L GR)/FRAME	3067212501000S
	15		nsp	nsp	BRACKET	SECC 1.0T/FRAME B A4	4010211546000S
	16		90M01CW056010	90M01CW056010	BUFFER	PI26*9*T2 PORON(HH48) 2T A4/FOOT	4050210615300S
	17		00M01CW057210	00M01CW057210	LEG	LEG ABS(SILVER STAMPING)	4007210131010S
	18		nsp	nsp	BUFFER	SCREW CAP/EVA 65% 6.5*5	4500210095000S
	19		nsp	nsp	PWB ASSY	MAIN PWB ASSY	
	20		nsp	nsp	CHASSIS	SECC 1.0T/MAIN	3200211186400S
	21		nsp	nsp	TAPE	KAF1030(EK) 8*8*0.5T(BK)/SHEET-A	4050210179100S
	22		90M-AV000490R	90M-AV000490R	TUNER	KST-MV114MA1-C10	E903114100060F
	23		nsp	nsp	BUSHING	NYLON6 BK (DACS12)/CORD AC	4380210002000S
	25		nsp	nsp	BRACKET	SECC 1.0T/HEAT SINK A2	4010211576000S
	26		00M08AW304500	00M08AW304500	MECHANISM	MECH LOADER AND MECH TRAVERSE KSM213CCM	8030040622010S
	27		nsp	nsp	HOLDER	CDG2350 ABS BK/CD MECHA	4320001380000S
	28		nsp	nsp	PWB ASSY	CD PWB ASSY	
	▲ 29	/N1S	90M-YC000900R	90M-YC000900R	MAINS CORD	! 2.5A/250V H03VVH2-F2C*0.75	L068250250060S
	31	/N1S	nsp	nsp	PANEL	PANEL REAR SECC 0.8T/BACK	3207211196A00S
	32		nsp	nsp	PWB ASSY	SPEAKER PWB ASSY	
	33		nsp	nsp	PWB ASSY	POWER AMP PWB ASSY	
	34		nsp	nsp	PWB ASSY	GUIDE PWB ASSY	
	35		nsp	nsp	HEATSINK	AL6063	2120000908200S
	36		nsp	nsp	PWB ASSY	STANDBY PWB ASSY	
	37		00M01CW355010	00M01CW355010	LENS	LENS STANDBY ACRYL CLEAR/LED	3710210593000S
	38		nsp	nsp	BRACKET	SECC T1.0/PCB	4010212406000S
	39		nsp	nsp	HEATSINK	HEAT SINK (24X30)	2120044288010S
	40		nsp	nsp	HEATSINK	HEAT SINK REG TR(24X45)	2120044298010S
	41		nsp	nsp	HOLDER	ABS HF380-9001 BK/CD MECHA	4320210511000S
	42		nsp	nsp	BRACKET	SI STEEL-PLATE 0.3T/SHIELD	4010212496000S
	43		nsp	nsp	PLATE	CU-PLATE 0.3T/GROUND	4470210889000S
	44		nsp	nsp	CUSHION	EVA 8T 49X45 BK/SIDE	4050211505000S
	45		nsp	nsp	SHEET	FIBER T0.5(REDF)/FIBER	1210210340000S
	46		nsp	nsp	PLATE	CU-SHEET 0.1T 32X16X0.1T/VR	1100000020000S
	47		nsp	nsp	RING	CU-SHEET P17XP3X0.1T/VR RING	1100000030000S
	48		00M01CW251020	00M01CW251020	BADGE	SUS0.2TNI-CR-PLATED/MARANTZ	5630210458000S
	CP108		nsp	90M-YU002160R	FPC	1.25*13*100(TL)*C(5/5/10/10)*(0.1*0.8)	N712131034810S
	▲ F651	/N1S	90M-FS001330R	90M-FS001330R	FUSE	T1.25A /250V-SVBRTC(K) 218	N751221251110S
	▲ PT1	/N1S	90M-TS002630R	90M-TS002630R	TRANSF.	230V/50HZ 66*55	8200660550330S
			nsp	nsp	CONN. CORD	110MM/6P GIL-S-06=GIL-S-06	L000111060050S
			nsp	90M-YU002140R	FPC	1.0*16*150(TL)*D(5/5/10/10)*(0.05*0.65)	N711161543810S
			nsp	90M-YU002150R	FPC	1.25*19*80(TL)*D(5/5/10/10)*(0.1*0.8)	N712190844810S
			nsp	nsp	CORD	110MM/1P 35750-0510(3.2PI)	8410111220040S
<b>PACKING</b>							
			00M49BW851310	00M49BW851310	USER GUIDE	CR401/N1S 7 LANGUAGE	5707047250180S
			00MZK01CW0010	00MZK01CW0010	UNIT KIT	REMOTE CONTROLER RC601CR	8300463600010S
<b>NOT STANDARD SPARE PART</b>							
			nsp	00M49BW801010	PACKING CASE	PACKING CASE CR401	6017210100110S
			nsp	00M01CW809010	CUSHION	CUSHION CR601	6230211414000S
	10		nsp	00M01CW257210	LID	SECC0.7TMZ405S.SPRAY	3007210366130S
			nsp	90M-ZA000180R	ANTENNA	1500MM-1P/FM FIA-301	E605000030040S
			nsp	90M-ZA000170R	ANTENNA	ANTENNA AM LOOP STAND-STRIP	E601016000000F

NOTE : "nsp" PART IS LISTED FOR REFERENCE ONLY, MARANTZ WILL NOT SUPPLY THESE PARTS.

### 13. ELECTRICAL PARTS LIST

#### PARTS INFORMATION

##### RESISTORS

- 1) 00MGD05xxx140, Carbon film fixed resistor, ±5% 1/4W
- 2) 00MGD05xxx160, Carbon film fixed resistor, ±5% 1/6W

① Resistance value

Examples ;

- ① Resistance value
- |                |                |                 |                 |
|----------------|----------------|-----------------|-----------------|
| 0.1 Ω .... 001 | 10 Ω .... 100  | 1 kΩ .... 102   | 100 kΩ .... 104 |
| 0.5 Ω .... 005 | 18 Ω .... 180  | 2.7 kΩ .... 272 | 680 kΩ .... 684 |
| 1 Ω .... 010   | 100 Ω .... 101 | 10 kΩ .... 103  | 1 MΩ .... 105   |
| 6.8 Ω .... 068 | 390 Ω .... 391 | 22 kΩ .... 223  | 4.7 MΩ .... 475 |

Note : Please distinguish 1/4W from 1/6W by the shape of parts used actually.

##### CAPACITORS

###### CERAMIC CAP.

- 3) 00MDD1xxx370 Ceramic capacitor  
Disc type  
Temp.coeff.P350 ~N1000, 50V
- ② Capacity value  
③ Tolerance

Examples ;

- ② Tolerance (Capacity deviation)
- ±0.25 pF .... 0
  - ±0.5 pF .... 1
  - ±5% .... 5

\* Tolerance of COMMON PARTS handled here are as follows :

- 0.5 pF ~ 5 pF .... ±0.25 pF
- 6 pF ~ 10 pF .... ±0.5 pF
- 12 pF ~ 560 pF .... ±5%

③ Capacity value

- |                 |                |                 |
|-----------------|----------------|-----------------|
| 0.5 pF .... 005 | 3 pF .... 030  | 100 pF .... 101 |
| 1 pF .... 010   | 10 pF .... 100 | 220 pF .... 221 |
| 1.5 pF .... 015 | 47 pF .... 470 | 560 pF .... 561 |

###### CERAMIC CAP.

- 4) 00MDK16xxx300, High dielectric constant ceramic capacitor  
Disc type  
Temp.chara. 2B4, 50V
- ④ Capacity value

Examples ;

- ④ Capacity value
- |                 |                  |                   |
|-----------------|------------------|-------------------|
| 100 pF .... 101 | 1000 pF .... 102 | 10000 pF .... 103 |
| 470 pF .... 471 | 2200 pF .... 222 |                   |

###### ELECTROLY CAP. ( Z )

- 5) 00MEAxxx10, Electrolytic capacitor  
One-way lead type, Tolerance ±20%
- ⑤ Working voltage  
⑥ Capacity value

Examples ;

- ⑤ Capacity value
- |                  |                 |                  |
|------------------|-----------------|------------------|
| 0.1 μF .... 104  | 4.7 μF .... 475 | 100 μF .... 107  |
| 0.33 μF .... 334 | 10 μF .... 106  | 330 μF .... 337  |
| 1 μF .... 105    | 22 μF .... 226  | 1100 μF .... 118 |
|                  |                 | 2200 μF .... 228 |
- ⑥ Working voltage
- |               |              |
|---------------|--------------|
| 6.3V .... 006 | 25V .... 025 |
| 10V .... 010  | 35V .... 035 |
| 16V .... 016  | 50V .... 050 |

###### FILM CAP. ( ± )

- 6) 00MDF15xxx350 Plastic film capacitor
  - 00MDF15xxx310 One-way type, Mylar ±5% 50V
  - 00MDF16xxx310 Plastic film capacitor
  - One-way type, Mylar ±10% 50V
- ⑦ Capacity value

Examples ;

- ⑦ Capacity value
- |                              |                  |
|------------------------------|------------------|
| 0.001 μF (1000 pF) ..... 102 | 0.1 μF .... 104  |
| 0.0018 μF ..... 182          | 0.56 μF .... 564 |
| 0.01 μF ..... 103            | 1 μF .... 105    |
| 0.015 μF ..... 153           |                  |

#### NOTE ON SAFETY FOR FUSIBLE RESISTOR :

The suppliers and their type numbers of fusible resistors are as follows;

##### 1. KOA Corporation

Part No. (MJI)	Type No. (KOA)	Description
00MNH05 xxx140	RF25S xxxΩJ	(±5% 1/4W)
00MNH05 xxx120	RF50S xxxΩJ	(±5% 1/2W)
00MNH85 xxx110	RF73B2A xxxΩJ	(±5% 1/10W)
00MNH95 xxx140	RF73B2E xxxΩJ	(±5% 1/4W)

\* Resistance value (0.1 Ω - 10 kΩ)

##### 2. Matsushita Electronic Components Co., Ltd

Part No. (MJI)	Type No. (MEC)	Description
00MNF05 xxx140	ERD-2FCJ xxx	(±5% 1/4W)
00MRF05 xxx140	ERD-2FCG xxx	(±2% 1/4W)
00MNF02 xxx140		
00MRF02 xxx140		

\* Resistance value

Examples ;

- \* Resistance value
- |                |                |                 |                 |
|----------------|----------------|-----------------|-----------------|
| 0.1 Ω .... 001 | 10 Ω .... 100  | 1 kΩ .... 102   | 100 kΩ .... 104 |
| 0.5 Ω .... 005 | 18 Ω .... 180  | 2.7 kΩ .... 272 | 680 kΩ .... 684 |
| 1 Ω .... 010   | 100 Ω .... 101 | 10 kΩ .... 103  | 1 MΩ .... 105   |
| 6.8 Ω .... 068 | 390 Ω .... 391 | 22 kΩ .... 223  | 4.7 MΩ .... 475 |



#### ABBREVIATION AND MARKS

ANT. : ANTENNA	BATT. : BATTERY
CAP. : CAPACITOR	CER. : CERAMIC
CONN. : CONNECTING	DIG. : DIGITAL
HP : HEADPHONE	MIC. : MICROPHONE
μ-PRO : MICROPROCESSOR	REC. : RECORDING
RES. : RESISTOR	SPK : SPEAKER
SW : SWITCH	TRANSF. : TRANSFORMER
TRIM. : TRIMMING	TRS. : TRANSISTOR
VAR. : VARIABLE	X'TAL : CRYSTAL


#### NOTE ON FUSE :

Regarding to all parts of parts code 00MFS20xxx2xx, replace only with Wickmann-Werke GmbH, Type 372 non glass type fuse.

#### NOTE ON SAFETY :

Symbol  Fire or electrical shock hazard. Only original parts should be used to replaced any part marked with symbol . Any other component substitution (other than original type), may increase risk of fire or electrical shock hazard.

#### 安全上の注意 :

 がついている部品は、安全上重要な部品です。必ず指定されている部品番号の部品を使用して下さい。

P.C.B. NAME	POS. NO.	VERS. COLOR	PART NO. (FOR EUR)	PART NO. (MZ)	PART NAME	DESCRIPTION	
					<b>CD PWB</b>		
CD			nsp	nsp	HEATSINK	HEAT SINK IC/ CU PLATE 1T	2120044837000S
CD	C201		nsp	00MDK96104300	CER. CAP.	X7R0.1UF-K/50V-1608	D011104577160S
CD	C202		nsp	00MOA10701620	ELECT CAP.	100UF-M/16V,6.3*11	D040101083100F
CD	C203		nsp	00MOA10701620	ELECT CAP.	100UF-M/16V,6.3*11	D040101083100F
CD	C204		nsp	00MDK96104300	CER. CAP.	X7R0.1UF-K/50V-1608	D011104577160S
CD	C205		nsp	00MOA10701620	ELECT CAP.	100UF-M/16V,6.3*11	D040101083100F
CD	C206		nsp	00MDD95220300	CER. CAP.	COG22PF-J/50V-1608	D010220167160S
CD	C207		nsp	00MOA10701620	ELECT CAP.	100UF-M/16V,6.3*11	D040101083100F
CD	C208		nsp	00MDK96104300	CER. CAP.	X7R0.1UF-K/50V-1608	D011104577160S
CD	C209		nsp	00MDK96104300	CER. CAP.	X7R0.1UF-K/50V-1608	D011104577160S
CD	C210		nsp	00MDK96221300	CER. CAP.	COG220PF-J/50V-1608	D010221167160S
CD	C211		nsp	90M-DK900040R	CER. CAP.	Y5V1UF-Z/50V-1608	D011105597160S
CD	C212		nsp	00MDD95471300	CER. CAP.	COG470PF-J/50V-1608	D010471167160S
CD	C213		nsp	00MDK96152300	CER. CAP.	X7R1500PF-K/50V-1608	D011152777160S
CD	C214		nsp	90M-DK900070R	CER. CAP.	X7R0.022UF-K/25V-1608	D011223777160S
CD	C215		nsp	00MDK96102300	CER. CAP.	X7R1000PF-K/50V-1608	D011102777160S
CD	C216		nsp	00MOA10701620	ELECT CAP.	100UF-M/16V,6.3*11	D040101083100F
CD	C217		nsp	00MDK96473200	CER. CAP.	X7R0.047UF-K/16V-1608	D011473773160S
CD	C218		nsp	00MDK96104300	CER. CAP.	X7R0.1UF-K/50V-1608	D011104577160S
CD	C219		nsp	00MOA10701620	ELECT CAP.	100UF-M/16V,6.3*11	D040101083100F
CD	C220		nsp	00MDK96104300	CER. CAP.	X7R0.1UF-K/50V-1608	D011104577160S
CD	C221		nsp	00MDK96104300	CER. CAP.	X7R0.1UF-K/50V-1608	D011104577160S
CD	C222		nsp	00MDD95101300	CER. CAP.	COG100PF-J/50V-1608	D010101167160S
CD	C223		nsp	00D9639006146	CER. CAP.	COG 560PF-J/50V-1608	D010561167160S
CD	C224		nsp	00MOA47701620	ELECT CAP.	470UF-M/16V,8*11.5-5RE,SHL-SY	D040471083080F
CD	C225		nsp	00D9639006146	CER. CAP.	COG 560PF-J/50V-1608	D010561167160S
CD	C226		nsp	00MDK96473200	CER. CAP.	X7R0.047UF-K/16V-1608	D011473773160S
CD	C227		nsp	00MOA10701620	ELECT CAP.	100UF-M/16V,6.3*11	D040101083100F
CD	C228		nsp	00D9630224600	ELECT CAP.	220UF-M/16V,8*11.5-5RE,SMS-SY	D040221083090F
CD	C229		nsp	00MDK96473200	CER. CAP.	X7R0.047UF-K/16V-1608	D011473773160S
CD	C230		nsp	00D9630224600	ELECT CAP.	220UF-M/16V,8*11.5-5RE,SMS-SY	D040221083090F
CD	C231		nsp	00MDK96473200	CER. CAP.	X7R0.047UF-K/16V-1608	D011473773160S
CD	C232		nsp	00MDK96103300	CER. CAP.	X7R0.01UF-K/50V-1608	D011103777160S
CD	C233		nsp	00MOA47405020	ELECT CAP.	0.47UF-M/50V,5*11-5RE SY	D040R47087050F
CD	C234		nsp	00MDK96332300	CER. CAP.	X7R3300PF-K/50V-1608	D011332777160S
CD	C235		nsp	00MDK96152300	CER. CAP.	X7R1500PF-K/50V-1608	D011152777160S
CD	C236		nsp	00MDK96103300	CER. CAP.	X7R0.01UF-K/50V-1608	D011103777160S
CD	C237		nsp	00MDK96473200	CER. CAP.	X7R0.047UF-K/16V-1608	D011473773160S
CD	C238		nsp	00MDK96221300	CER. CAP.	COG220PF-J/50V-1608	D010221167160S
CD	C239		nsp	00MDK96104300	CER. CAP.	X7R0.1UF-K/50V-1608	D011104577160S
CD	C240		nsp	00MDK96104300	CER. CAP.	X7R0.1UF-K/50V-1608	D011104577160S
CD	C241		nsp	00MOA10701620	ELECT CAP.	100UF-M/16V,6.3*11	D040101083100F
CD	C242		nsp	00MDK96104300	CER. CAP.	X7R0.1UF-K/50V-1608	D011104577160S
CD	C243		nsp	nsp	CER. CAP.	CH24PF-J/50V-5RE	D000240167050S
CD	C244		nsp	nsp	CER. CAP.	CH24PF-J/50V-5RE	D000240167050S
CD	C245		nsp	00MDK96103300	CER. CAP.	X7R0.01UF-K/50V-1608	D011103777160S
CD	C246		nsp	00MDD95101300	CER. CAP.	COG100PF-J/50V-1608	D010101167160S
CD	C247		nsp	00MDK96562300	CER. CAP.	X7R5600PF-K/50V-1608	D011562777160S
CD	C248		nsp	00MDK96562300	CER. CAP.	X7R5600PF-K/50V-1608	D011562777160S
CD	C249		nsp	00MOA47601640	ELECT CAP.	47UF-M/16V,5*11-5RE.SY	D040470083080F
CD	C250		nsp	00MDK96104300	CER. CAP.	X7R0.1UF-K/50V-1608	D011104577160S
CD	C251		nsp	00MDK96104300	CER. CAP.	X7R0.1UF-K/50V-1608	D011104577160S
CD	C252		nsp	00MOA10701620	ELECT CAP.	100UF-M/16V,6.3*11	D040101083100F
CD	C253		nsp	00MDD95101300	CER. CAP.	COG100PF-J/50V-1608	D010101167160S
CD	C254		nsp	00MDK96104300	CER. CAP.	X7R0.1UF-K/50V-1608	D011104577160S
CD	C255		nsp	00MDK96104300	CER. CAP.	X7R0.1UF-K/50V-1608	D011104577160S
CD	C256		nsp	00MOA22605020	ELECT CAP.	22UF-M/50V,6*11	D040220087100F
CD	C257		nsp	00MDK96102300	CER. CAP.	X7R1000PF-K/50V-1608	D011102777160S
CD	C258		nsp	00MDD95101300	CER. CAP.	COG100PF-J/50V-1608	D010101167160S
CD	C259		nsp	00MDD95101300	CER. CAP.	COG100PF-J/50V-1608	D010101167160S
CD	C260		nsp	00MDK96102300	CER. CAP.	X7R1000PF-K/50V-1608	D011102777160S
CD	C261		nsp	00MOA22605020	ELECT CAP.	22UF-M/50V,6*11	D040220087100F
CD	C262		nsp	00MDD95101300	CER. CAP.	COG100PF-J/50V-1608	D010101167160S
CD	C263		nsp	00MDD95101300	CER. CAP.	COG100PF-J/50V-1608	D010101167160S
CD	C264		nsp	00MDD95101300	CER. CAP.	COG100PF-J/50V-1608	D010101167160S
CD	C265		nsp	00MDK96102300	CER. CAP.	X7R1000PF-K/50V-1608	D011102777160S

NOTE : "nsp" PART IS LISTED FOR REFERENCE ONLY, MARANTZ WILL NOT SUPPLY THESE PARTS.

P.C.B. NAME	POS. NO.	VERS. COLOR	PART NO. (FOR EUR)	PART NO. (MZ)	PART NAME	DESCRIPTION	
CD	C266		nsp	00MOA22605020	ELECT CAP.	22UF-M/50V,6*11	D040220087100F
CD	C267		nsp	00MDD95101300	CER. CAP.	COG100PF-J/50V-1608	D010101167160S
CD	C268		nsp	00MDD95101300	CER. CAP.	COG100PF-J/50V-1608	D010101167160S
CD	C269		nsp	00MDK96102300	CER. CAP.	X7R1000PF-K/50V-1608	D011102777160S
CD	C270		nsp	00MOA22605020	ELECT CAP.	22UF-M/50V,6*11	D040220087100F
CD	C271		nsp	00MOA22605020	ELECT CAP.	22UF-M/50V,6*11	D040220087100F
CD	C272		nsp	00MDK96102300	CER. CAP.	X7R1000PF-K/50V-1608	D011102777160S
CD	C273		nsp	00MOA22605020	ELECT CAP.	22UF-M/50V,6*11	D040220087100F
CD	C274		nsp	00MDK96102300	CER. CAP.	X7R1000PF-K/50V-1608	D011102777160S
CD	C275		nsp	00MDK96102300	CER. CAP.	X7R1000PF-K/50V-1608	D011102777160S
CD	C276		nsp	00MOA47601640	ELECT CAP.	47UF-M/16V,5*11-5RE.SY	D040470083080F
CD	C277		nsp	00MDK96104300	CER. CAP.	X7R0.1UF-K/50V-1608	D011104577160S
CD	C278		nsp	00MOA10701620	ELECT CAP.	100UF-M/16V,6.3*11	D040101083100F
CD	C279		nsp	00MOA10701620	ELECT CAP.	100UF-M/16V,6.3*11	D040101083100F
CD	C280		nsp	00MDK96102300	CER. CAP.	X7R1000PF-K/50V-1608	D011102777160S
CD	C281		nsp	00MEA22601610	ELECT CAP.	22UF-M/16V,5*5-5RE SY	D040220083060F
CD	C282		nsp	00MDK96473200	CER. CAP.	X7R0.047UF-K/16V-1608	D011473773160S
CD	C283		nsp	00MOA22605020	ELECT CAP.	22UF-M/50V,6*11	D040220087100F
CD	C284		nsp	00MDK96102300	CER. CAP.	X7R1000PF-K/50V-1608	D011102777160S
CD	C285		nsp	00MDK96104300	CER. CAP.	X7R0.1UF-K/50V-1608	D011104577160S
CD	C286		nsp	00MDD95101300	CER. CAP.	COG100PF-J/50V-1608	D010101167160S
CD	C287		nsp	00MDD95220300	CER. CAP.	COG22PF-J/50V-1608	D010220167160S
CD	C288		nsp	00MDD95220300	CER. CAP.	COG22PF-J/50V-1608	D010220167160S
CD	C289		nsp	00MOA22405020	ELECT CAP.	0.22UF-M/50V,5*11	D040R22087100F
CD	C290		nsp	00MOA22405020	ELECT CAP.	0.22UF-M/50V,5*11	D040R22087100F
CD	C291		nsp	00MDK96104300	CER. CAP.	X7R0.1UF-K/50V-1608	D011104577160S
CD	C292		nsp	00MDK96104300	CER. CAP.	X7R0.1UF-K/50V-1608	D011104577160S
CD	C293		nsp	00MOA22605020	ELECT CAP.	22UF-M/50V,6*11	D040220087100F
CD	C294		nsp	00MOA22605020	ELECT CAP.	22UF-M/50V,6*11	D040220087100F
CD	CN202		nsp	nsp	CONN. CORD	110MM/5P GIL-S-05=CKM2002H-05	L000111050120S
CD	CP201		nsp	nsp	CONN.	G1L-S-6P-S2T2-EF	L101220060000S
CD	CP203		nsp	nsp	CONN.	6232-16P DIP AN	L130623201620S
CD	CP205		nsp	nsp	CONN.	G1L-S-6P-S2T2-EF	L101220060000S
CD	CP206		nsp	nsp	CONN.	5267-03A 3P	L102526700300S
CD	CP207		nsp	nsp	CONN.	SCB 1119-00 19P ST	L131111900010S
CD	D201		nsp	00D9630219709	DIODE	1N4148W SOD-323	K005041480020S
CD	IC201		90M-HC107340R	90M-HC107340R	IC	CXA2581N-24P	J030258100020S
CD	IC202		90M-HC107400R	90M-HC107400R	IC	BA5979S/DIP32P	J127597900020S
CD	IC203		90M-HC107350R	90M-HC107350R	IC	CXD3068Q QFP80	J032306800010S
CD	IC204		90M-HC107410R	90M-HC107410R	IC	BA6956AN SIP9	J127695600010S
CD	IC205		90M-HC400040R	90M-HC400040R	IC	BA4558F-E2/SOP8P	J121455800140S
CD	IC206		90M-HC400040R	90M-HC400040R	IC	BA4558F-E2/SOP8P	J121455800140S
CD	IC207		90M-HC109580R	90M-HC109580R	IC	TMD2201A TQFP 80	J040220100010S
CD	IC208		90M-HC109600R	90M-HC109600R	IC	IC42S16400 TSOP54	J001421640020S
CD	IC209		90M-HC109590R	90M-HC109590R	IC	WM8761 24BIT 192KHZ SOIC14P	J042876100010
CD	IC210		90M-HS01CW20R	90M-HS01CW20R	U-PRO	MSM66Q573L-NTB TQFP100P	J020665730030S
CD	IC211		90M-HS01CW30R	90M-HS01CW30R	IC	M29W800DB 3163005 8M(BLANK)	J005298000060S
CD	L201		90M-FN000270R	90M-FN000270R	EMI FILTER	MB-160808-0120H SMD1608	D340160800060S
CD	L202		00D9630126504	00D9630126504	EMI FILTER	BFS 3550R2F 3.5*5.0 R.REEL (5MM)	7610035500030S
CD	L203		nsp	nsp	COIL	10UH-Q40/24M-R2.5-52RE 02TB	D330100700520S
CD	L204		90M-FN000270R	90M-FN000270R	EMI FILTER	MB-160808-0120H SMD1608 TYPE	D340160800060S
CD	L205		90M-FN000270R	90M-FN000270R	EMI FILTER	MB-160808-0120H SMD1608 TYPE	D340160800060S
CD	L206		00D9630126504	00D9630126504	EMI FILTER	BFS 3550R2F 3.5*5.0 R.REEL (5MM)	7610035500030S
CD	L207		00D9630126504	00D9630126504	EMI FILTER	BFS 3550R2F 3.5*5.0 R.REEL (5MM)	7610035500030S
CD	L208		90M-FN000270R	90M-FN000270R	EMI FILTER	MB-160808-0120H SMD1608 TYPE	D340160800060S
CD	L209		90M-FN000270R	90M-FN000270R	EMI FILTER	MB-160808-0120H SMD1608 TYPE	D340160800060S
CD	L210		00D9630126504	00D9630126504	EMI FILTER	BFS 3550R2F 3.5*5.0 R.REEL (5MM)	7610035500030S
CD	L211		90M-FN000270R	90M-FN000270R	EMI FILTER	MB-160808-0120H SMD1608 TYPE	D340160800060S
CD	Q201		90M-BA001250R	90M-BA001250R	TRS.	KTA1273Y,1W/T092L	J5001273Y0050S
CD	Q205		90M-BA001170R	90M-BA001170R	TRS.	KRA107S (PH) /SOT-23	J5200107S0050S
CD	Q206		00D9630226909	00D9630226909	TRS.	KRC114S (NP) 0.2W/SOT-23	J522011400210S
CD	Q207		00D9630226909	00D9630226909	TRS.	KRC114S (NP) 0.2W/SOT-23	J522011400210S
CD	Q208		00D9630226909	00D9630226909	TRS.	KRC114S (NP) 0.2W/SOT-23	J522011400210S
CD	Q211		90M-HT300870R	90M-HT300870R	TRS.	KTC2875B(MB) 0.15W SOT23(RTK)	J5222875B0010S
CD	Q212		90M-HT300870R	90M-HT300870R	TRS.	KTC2875B(MB) 0.15W SOT23(RTK)	J5222875B0010S
CD	Q213		90M-BA001540R	90M-BA001540R	TRS.	KRA101S R1,R2=4.7K 0.2W/SOT-23	J520010100010S
CD	Q214		90M-BA001160R	90M-BA001160R	TRS.	TR CHIP KRC107S SOT23	J5020107S0050S

NOTE : \*nsp\* PART IS LISTED FOR REFERENCE ONLY, MARANTZ WILL NOT SUPPLY THESE PARTS.

P.C.B. NAME	POS. NO.	VERS. COLOR	PART NO. (FOR EUR)	PART NO. (MZ)	PART NAME	DESCRIPTION	
CD	R201		nsp	00MNN05220610	CHIP RES.	22-J,1/16W-1608	C20002206M160F
CD	R202		nsp	00MNN05103610	CHIP RES.	10K-J,1/16W-1608	C20001036M160F
CD	R203		nsp	00MNN05103610	CHIP RES.	10K-J,1/16W-1608	C20001036M160F
CD	R204		nsp	00MNN05273610	CHIP RES.	27K-J,1/16W-1608	C20002736M160F
CD	R205		nsp	00MNN05562610	CHIP RES.	5.6K-J,1/16W-1608	C20005626M160F
CD	R206		nsp	00MNN05102610	CHIP RES.	1K-J,1/16W-1608	C20001026M160F
CD	R207		nsp	00MNN05562610	CHIP RES.	5.6K-J,1/16W-1608	C20005626M160F
CD	R208		nsp	00MNN05153610	CHIP RES.	15K-J,1/16W-1608	C20001536M160F
CD	R209		nsp	00MNN05104610	CHIP RES.	100K-J,1/16W-1608	C20001046M160F
CD	R210		nsp	00MNN05753610	CHIP RES.	75K-J,1/16W-1608	C20007536M160F
CD	R211		nsp	00MNN05303610	CHIP RES.	30K-J,1/16W-1608	C20003036M160F
CD	R212		nsp	90M-NN000770R	CHIP RES.	91K-J,1/16W-1608	C20009136M160F
CD	R213		nsp	00MNN05154610	CHIP RES.	150K-J,1/16W-1608	C20001546M160F
CD	R214		nsp	00MNN05473610	CHIP RES.	47K-J,1/16W-1608	C20004736M160F
CD	R215		nsp	00MNN05473610	CHIP RES.	47K-J,1/16W-1608	C20004736M160F
CD	R216		nsp	00MNN05104610	CHIP RES.	100K-J,1/16W-1608	C20001046M160F
CD	R217		nsp	00MNN05124610	CHIP RES.	120K-J,1/16W-1608	C20001246M160F
CD	R220		nsp	00MNN05102610	CHIP RES.	1K-J,1/16W-1608	C20001026M160F
CD	R221		nsp	00MNN05153610	CHIP RES.	15K-J,1/16W-1608	C20001536M160F
CD	R222		nsp	00MNN05104610	CHIP RES.	100K-J,1/16W-1608	C20001046M160F
CD	R223		nsp	00MNN05153610	CHIP RES.	15K-J,1/16W-1608	C20001536M160F
CD	R224		nsp	00MNN05222610	CHIP RES.	2.2K-J,1/16W-1608	C20002226M160F
CD	R225		nsp	00MNN05103610	CHIP RES.	10K-J,1/16W-1608	C20001036M160F
CD	R226		nsp	00MNN05272610	CHIP RES.	2.7K-J,1/16W-1608	C20002726M160F
CD	R227		nsp	00MNN05332610	CHIP RES.	3.3K-J,1/16W-1608	C20003326M160F
CD	R229		nsp	00MNN05222610	CHIP RES.	2.2K-J,1/16W-1608	C20002226M160F
CD	R230		nsp	00MNN05103610	CHIP RES.	10K-J,1/16W-1608	C20001036M160F
CD	R231		nsp	00MNN05101610	CHIP RES.	100-J,1/16W-1608	C20001016M160F
CD	R232		nsp	00MNN05101610	CHIP RES.	100-J,1/16W-1608	C20001016M160F
CD	R233		nsp	00MNN05101610	CHIP RES.	100-J,1/16W-1608	C20001016M160F
CD	R234		nsp	00MNN05101610	CHIP RES.	100-J,1/16W-1608	C20001016M160F
CD	R235		nsp	00MNN05101610	CHIP RES.	100-J,1/16W-1608	C20001016M160F
CD	R236		nsp	00MNN05102610	CHIP RES.	1K-J,1/16W-1608	C20001026M160F
CD	R237		nsp	00MNN05101610	CHIP RES.	100-J,1/16W-1608	C20001016M160F
CD	R238		nsp	00MNN05101610	CHIP RES.	100-J,1/16W-1608	C20001016M160F
CD	R239		nsp	00MNN05474610	CHIP RES.	470K-J,1/16W-1608	C20004746M160F
CD	R240		nsp	00MNN05224610	CHIP RES.	220K-J,1/16W-1608	C20002246M160F
CD	R241		nsp	00MNN05474610	CHIP RES.	470K-J,1/16W-1608	C20004746M160F
CD	R242		nsp	00MNN05103610	CHIP RES.	10K-J,1/16W-1608	C20001036M160F
CD	R243		nsp	00MNN05333610	CHIP RES.	33K-J,1/16W-1608	C20003336M160F
CD	R244		nsp	00MNN05102610	CHIP RES.	1K-J,1/16W-1608	C20001026M160F
CD	R245		nsp	nsp	RES.	2.2-J 1/2W R.REEL PNFR25H	C1012R2064060S
CD	R246		nsp	00MNN05103610	CHIP RES.	10K-J,1/16W-1608	C20001036M160F
CD	R247		nsp	00MNN05022610	CHIP RES.	2.2-J,1/16W-1608	C2002R206M160F
CD	R248		nsp	00MNN05101610	CHIP RES.	100-J,1/16W-1608	C20001016M160F
CD	R249		nsp	00MNN05101610	CHIP RES.	100-J,1/16W-1608	C20001016M160F
CD	R250		nsp	00MNN05103610	CHIP RES.	10K-J,1/16W-1608	C20001036M160F
CD	R251		nsp	00MNN05104610	CHIP RES.	100K-J,1/16W-1608	C20001046M160F
CD	R252		nsp	00MNN05332610	CHIP RES.	3.3K-J,1/16W-1608	C20003326M160F
CD	R253		nsp	00MNN05102610	CHIP RES.	1K-J,1/16W-1608	C20001026M160F
CD	R254		nsp	00MNN05103610	CHIP RES.	10K-J,1/16W-1608	C20001036M160F
CD	R255		nsp	00MNN05474610	CHIP RES.	470K-J,1/16W-1608	C20004746M160F
CD	R256		nsp	00MNN05474610	CHIP RES.	470K-J,1/16W-1608	C20004746M160F
CD	R257		nsp	00MNN05105610	CHIP RES.	1M-J,1/16W-1608	C20001056M160F
CD	R258		nsp	00MNN05101610	CHIP RES.	100-J,1/16W-1608	C20001016M160F
CD	R259		nsp	00MNN05101610	CHIP RES.	100-J,1/16W-1608	C20001016M160F
CD	R260		nsp	00MNN05101610	CHIP RES.	100-J,1/16W-1608	C20001016M160F
CD	R261		nsp	00MNN05103610	CHIP RES.	10K-J,1/16W-1608	C20001036M160F
CD	R262		nsp	00MNN05105610	CHIP RES.	1M-J,1/16W-1608	C20001056M160F
CD	R263		nsp	00MNN05101610	CHIP RES.	100-J,1/16W-1608	C20001016M160F
CD	R264		nsp	00MNN05101610	CHIP RES.	100-J,1/16W-1608	C20001016M160F
CD	R265		nsp	00MNN05101610	CHIP RES.	100-J,1/16W-1608	C20001016M160F
CD	R266		nsp	00MNN05101610	CHIP RES.	100-J,1/16W-1608	C20001016M160F
CD	R267		nsp	00MNN05102610	CHIP RES.	1K-J,1/16W-1608	C20001026M160F
CD	R268		nsp	00MNN05101610	CHIP RES.	100-J,1/16W-1608	C20001016M160F
CD	R269		nsp	00MNN05103610	CHIP RES.	10K-J,1/16W-1608	C20001036M160F
CD	R270		nsp	00MNN05103610	CHIP RES.	10K-J,1/16W-1608	C20001036M160F

NOTE : "nsp" PART IS LISTED FOR REFERENCE ONLY, MARANTZ WILL NOT SUPPLY THESE PARTS.

P.C.B. NAME	POS. NO.	VERS. COLOR	PART NO. (FOR EUR)	PART NO. (MZ)	PART NAME	DESCRIPTION	
CD	R271		nsp	00MNN05102610	CHIP RES.	1K-J,1/16W-1608	C20001026M160F
CD	R272		nsp	00MNN05103610	CHIP RES.	10K-J,1/16W-1608	C20001036M160F
CD	R273		nsp	00MNN05103610	CHIP RES.	10K-J,1/16W-1608	C20001036M160F
CD	R274		nsp	00MNN05103610	CHIP RES.	10K-J,1/16W-1608	C20001036M160F
CD	R275		nsp	00MNN05103610	CHIP RES.	10K-J,1/16W-1608	C20001036M160F
CD	R276		nsp	00MNN05103610	CHIP RES.	10K-J,1/16W-1608	C20001036M160F
CD	R277		nsp	00MNN05103610	CHIP RES.	10K-J,1/16W-1608	C20001036M160F
CD	R278		nsp	00MNN05103610	CHIP RES.	10K-J,1/16W-1608	C20001036M160F
CD	R279		nsp	00MNN05103610	CHIP RES.	10K-J,1/16W-1608	C20001036M160F
CD	R280		nsp	00MNN05122610	CHIP RES.	1.2K-J,1/16W-1608	C20001226M160F
CD	R281		nsp	00MNN05101610	CHIP RES.	100-J,1/16W-1608	C20001016M160F
CD	R282		nsp	00MNN05101610	CHIP RES.	100-J,1/16W-1608	C20001016M160F
CD	R283		nsp	00MNN05101610	CHIP RES.	100-J,1/16W-1608	C20001016M160F
CD	R284		nsp	00MNN05101610	CHIP RES.	100-J,1/16W-1608	C20001016M160F
CD	R285		nsp	00MNN05101610	CHIP RES.	100-J,1/16W-1608	C20001016M160F
CD	R286		nsp	00MNN05101610	CHIP RES.	100-J,1/16W-1608	C20001016M160F
CD	R287		nsp	00MNN05103610	CHIP RES.	10K-J,1/16W-1608	C20001036M160F
CD	R288		nsp	00MNN05103610	CHIP RES.	10K-J,1/16W-1608	C20001036M160F
CD	R289		nsp	00MNN05103610	CHIP RES.	10K-J,1/16W-1608	C20001036M160F
CD	R290		nsp	00MNN05103610	CHIP RES.	10K-J,1/16W-1608	C20001036M160F
CD	R291		nsp	00MNN05474610	CHIP RES.	470K-J,1/16W-1608	C20004746M160F
CD	R292		nsp	00MNN05152610	CHIP RES.	1.5K-J,1/16W-1608	C20001526M160F
CD	R293		nsp	00MNN05222610	CHIP RES.	2.2K-J,1/16W-1608	C20002226M160F
CD	R294		nsp	00MNN05472610	CHIP RES.	4.7K-J,1/16W-1608	C20004726M160F
CD	R295		nsp	00MNN05472610	CHIP RES.	4.7K-J,1/16W-1608	C20004726M160F
CD	R296		nsp	00MNN05474610	CHIP RES.	470K-J,1/16W-1608	C20004746M160F
CD	R297		nsp	00MNN05152610	CHIP RES.	1.5K-J,1/16W-1608	C20001526M160F
CD	R298		nsp	00MNN05222610	CHIP RES.	2.2K-J,1/16W-1608	C20002226M160F
CD	R299		nsp	00MNN05474610	CHIP RES.	470K-J,1/16W-1608	C20004746M160F
CD	R300		nsp	00MNN05152610	CHIP RES.	1.5K-J,1/16W-1608	C20001526M160F
CD	R301		nsp	00MNN05472610	CHIP RES.	4.7K-J,1/16W-1608	C20004726M160F
CD	R302		nsp	00MNN05474610	CHIP RES.	470K-J,1/16W-1608	C20004746M160F
CD	R303		nsp	00MNN05152610	CHIP RES.	1.5K-J,1/16W-1608	C20001526M160F
CD	R304		nsp	00MNN05472610	CHIP RES.	4.7K-J,1/16W-1608	C20004726M160F
CD	R305		nsp	00MNN05152610	CHIP RES.	1.5K-J,1/16W-1608	C20001526M160F
CD	R306		nsp	00MNN05152610	CHIP RES.	1.5K-J,1/16W-1608	C20001526M160F
CD	R307		nsp	00MNN05103610	CHIP RES.	10K-J,1/16W-1608	C20001036M160F
CD	R308		nsp	00MNN05561610	CHIP RES.	560-J,1/16W-1608	C20005616M160F
CD	R309		nsp	00MNN05105610	CHIP RES.	1M-J,1/16W-1608	C20001056M160F
CD	R310		nsp	00MNN05000610	CHIP RES.	0-J,1/16W-1608	C20000006M160F
CD	R311		nsp	00MNN05000610	CHIP RES.	0-J,1/16W-1608	C20000006M160F
CD	R312		nsp	00MNN05000610	CHIP RES.	0-J,1/16W-1608	C20000006M160F
CD	R313		nsp	00MNN05103610	CHIP RES.	10K-J,1/16W-1608	C20001036M160F
CD	R317		nsp	00MNN05103610	CHIP RES.	10K-J,1/16W-1608	C20001036M160F
CD	R318		nsp	00MNN05103610	CHIP RES.	10K-J,1/16W-1608	C20001036M160F
CD	R319		nsp	00MNN05101610	CHIP RES.	100-J,1/16W-1608	C20001016M160F
CD	R320		nsp	00MNN05022610	CHIP RES.	2.2-J,1/16W-1608	C2002R206M160F
CD	R321		nsp	00MNN05103610	CHIP RES.	10K-J,1/16W-1608	C20001036M160F
CD	R322		nsp	00MNN05103610	CHIP RES.	10K-J,1/16W-1608	C20001036M160F
CD	R323		nsp	00MNN05103610	CHIP RES.	10K-J,1/16W-1608	C20001036M160F
CD	R324		nsp	00MNN05103610	CHIP RES.	10K-J,1/16W-1608	C20001036M160F
CD	R325		nsp	00MNN05103610	CHIP RES.	10K-J,1/16W-1608	C20001036M160F
CD	R326		nsp	00MNN05103610	CHIP RES.	10K-J,1/16W-1608	C20001036M160F
CD	R327		nsp	00MNN05103610	CHIP RES.	10K-J,1/16W-1608	C20001036M160F
CD	R328		nsp	00MNN05103610	CHIP RES.	10K-J,1/16W-1608	C20001036M160F
CD	R329		nsp	00MNN05103610	CHIP RES.	10K-J,1/16W-1608	C20001036M160F
CD	R330		nsp	00MNN05103610	CHIP RES.	10K-J,1/16W-1608	C20001036M160F
CD	R331		nsp	00MNN05103610	CHIP RES.	10K-J,1/16W-1608	C20001036M160F
CD	R332		nsp	00MNN05000610	CHIP RES.	0-J,1/16W-1608	C20000006M160F
CD	R333		nsp	00MNN05823610	CHIP RES.	82K-J,1/16W-1608	C20008236M160F
CD	R334		nsp	00MNN05561610	CHIP RES.	560-J,1/16W-1608	C20005616M160F
CD	R335		nsp	00MNN05561610	CHIP RES.	560-J,1/16W-1608	C20005616M160F
CD	R336		nsp	00MNN05102610	CHIP RES.	1K-J,1/16W-1608	C20001026M160F
CD	R337		nsp	00MNN05561610	CHIP RES.	560-J,1/16W-1608	C20005616M160F
CD	R338		nsp	00MNN05561610	CHIP RES.	560-J,1/16W-1608	C20005616M160F
CD	R339		nsp	00MNN05561610	CHIP RES.	560-J,1/16W-1608	C20005616M160F
CD	R340		nsp	00MNN05561610	CHIP RES.	560-J,1/16W-1608	C20005616M160F

NOTE : "nsp" PART IS LISTED FOR REFERENCE ONLY, MARANTZ WILL NOT SUPPLY THESE PARTS.

P.C.B. NAME	POS. NO.	VERS. COLOR	PART NO. (FOR EUR)	PART NO. (MZ)	PART NAME	DESCRIPTION	
CD	R341		nsp	00MNN05561610	CHIP RES.	560-J,1/16W-1608	C20005616M160F
CD	R342		nsp	00MNN05561610	CHIP RES.	560-J,1/16W-1608	C20005616M160F
CD	R343		nsp	00MNN05561610	CHIP RES.	560-J,1/16W-1608	C20005616M160F
CD	R344		nsp	00MNN05561610	CHIP RES.	560-J,1/16W-1608	C20005616M160F
CD	R345		nsp	00MNN05561610	CHIP RES.	560-J,1/16W-1608	C20005616M160F
CD	R346		nsp	00MNN05561610	CHIP RES.	560-J,1/16W-1608	C20005616M160F
CD	R347		nsp	00MNN05561610	CHIP RES.	560-J,1/16W-1608	C20005616M160F
CD	R348		nsp	00MNN05561610	CHIP RES.	560-J,1/16W-1608	C20005616M160F
CD	R349		nsp	00MNN05561610	CHIP RES.	560-J,1/16W-1608	C20005616M160F
CD	R350		nsp	00MNN05561610	CHIP RES.	560-J,1/16W-1608	C20005616M160F
CD	R351		nsp	00MNN05561610	CHIP RES.	560-J,1/16W-1608	C20005616M160F
CD	R352		nsp	00MNN05561610	CHIP RES.	560-J,1/16W-1608	C20005616M160F
CD	R353		nsp	00MNN05561610	CHIP RES.	560-J,1/16W-1608	C20005616M160F
CD	R354		nsp	00MNN05102610	CHIP RES.	1K-J,1/16W-1608	C20001026M160F
CD	R355		nsp	00MNN05561610	CHIP RES.	560-J,1/16W-1608	C20005616M160F
CD	R356		nsp	00MNN05561610	CHIP RES.	560-J,1/16W-1608	C20005616M160F
CD	R357		nsp	00MNN05561610	CHIP RES.	560-J,1/16W-1608	C20005616M160F
CD	R359		nsp	00MNN05561610	CHIP RES.	560-J,1/16W-1608	C20005616M160F
CD	R360		nsp	00MNN05561610	CHIP RES.	560-J,1/16W-1608	C20005616M160F
CD	R361		nsp	00MNN05561610	CHIP RES.	560-J,1/16W-1608	C20005616M160F
CD	R362		nsp	00MNN05102610	CHIP RES.	1K-J,1/16W-1608	C20001026M160F
CD	R363		nsp	00MNN05104610	CHIP RES.	100K-J,1/16W-1608	C20001046M160F
CD	R364		nsp	00MNN05104610	CHIP RES.	100K-J,1/16W-1608	C20001046M160F
CD	R365		nsp	00MNN05561610	CHIP RES.	560-J,1/16W-1608	C20005616M160F
CD	R394		nsp	00MNN05561610	CHIP RES.	560-J,1/16W-1608	C20005616M160F
CD	R395		nsp	00MNN05561610	CHIP RES.	560-J,1/16W-1608	C20005616M160F
CD	R396		nsp	00MNN05561610	CHIP RES.	560-J,1/16W-1608	C20005616M160F
CD	R397		nsp	00MNN05561610	CHIP RES.	560-J,1/16W-1608	C20005616M160F
CD	R398		nsp	00MNN05561610	CHIP RES.	560-J,1/16W-1608	C20005616M160F
CD	R399		nsp	00MNN05561610	CHIP RES.	560-J,1/16W-1608	C20005616M160F
CD	X201		90M-JX001250R	90M-JX001250R	X'TAL	14.0000MHZ CL=22PF	E800140000000P
CD	XTAL201		90M-JX001260R	90M-JX001260R	X'TAL	HC-49S 16.9344MHZ CL=20PF	E800169344520P
CD	ZD201		00MHD30511000	00MHD30511000	ZENER DIODE	MTZJ5.1B-0.5W/5MA-52MM	K06005R144520S
					<b>FRONT PWB</b>		
FRONT			nsp	nsp	SUPPORT	BLOCK, A3/SENSOR	4350210001000S
FRONT			nsp	nsp	BRACKET	FLT SPT 0.3T	4010212386000S
FRONT	C701		nsp	90M-EJ000070R	ELECT CAP.	10UF-M/16V,3.5*5	D040100083090F
FRONT	C702		nsp	00MDK96103300	CER. CAP.	X7R0.01UF-K/50V-1608	D011103777160S
FRONT	C703		nsp	nsp	CER. CAP.	F0.01UF-Z/50V-5RE	D004103097060S
FRONT	C704		nsp	00D9630223902	CER. CAP.	COG39PF-J/50V-1608	D010390167160S
FRONT	C705		nsp	00MDD95101300	CER. CAP.	COG100PF-J/50V-1608	D010101167160S
FRONT	C706		nsp	00MDD95101300	CER. CAP.	COG100PF-J/50V-1608	D010101167160S
FRONT	C707		nsp	00MDD95101300	CER. CAP.	COG100PF-J/50V-1608	D010101167160S
FRONT	C708		nsp	00MDD95101300	CER. CAP.	COG100PF-J/50V-1608	D010101167160S
FRONT	C709		nsp	90M-EJ000070R	ELECT CAP.	10UF-M/16V,3.5*5	D040100083090F
FRONT	C710		nsp	00MDK96103300	CER. CAP.	X7R0.01UF-K/50V-1608	D011103777160S
FRONT	C711		nsp	00MDK96103300	CER. CAP.	X7R0.01UF-K/50V-1608	D011103777160S
FRONT	C712		nsp	00MDK96103300	CER. CAP.	X7R0.01UF-K/50V-1608	D011103777160S
FRONT	C713		nsp	00MDK96103300	CER. CAP.	X7R0.01UF-K/50V-1608	D011103777160S
FRONT	C714		nsp	90M-EJ000070R	ELECT CAP.	10UF-M/16V,3.5*5	D040100083090F
FRONT	C715		nsp	00MDK96103300	CER. CAP.	X7R0.01UF-K/50V-1608	D011103777160S
FRONT	C716		nsp	00MDK96103300	CER. CAP.	X7R0.01UF-K/50V-1608	D011103777160S
FRONT	C717		nsp	90M-EJ000060R	ELECT CAP.	0.33UF-M/50V,3*5-5RE SY	D040R33087110F
FRONT	C718		nsp	90M-EJ000060R	ELECT CAP.	0.33UF-M/50V,3*5-5RE SY	D040R33087110F
FRONT	C719		nsp	00MDD95101300	CER. CAP.	COG100PF-J/50V-1608	D010101167160S
FRONT	C720		nsp	00MDD95101300	CER. CAP.	COG100PF-J/50V-1608	D010101167160S
FRONT	C721		nsp	00MDD95101300	CER. CAP.	COG100PF-J/50V-1608	D010101167160S
FRONT	C723		nsp	00MDD95101300	CER. CAP.	COG100PF-J/50V-1608	D010101167160S
FRONT	C724		nsp	00MDD95101300	CER. CAP.	COG100PF-J/50V-1608	D010101167160S
FRONT	C725		nsp	00MDD95101300	CER. CAP.	COG100PF-J/50V-1608	D010101167160S
FRONT	C728		nsp	90M-EJ000060R	ELECT CAP.	0.33UF-M/50V,3*5-5RE SY	D040R33087110F
FRONT	C729		nsp	90M-EJ000060R	ELECT CAP.	0.33UF-M/50V,3*5-5RE SY	D040R33087110F
FRONT	C730		nsp	90M-EJ000060R	ELECT CAP.	0.33UF-M/50V,3*5-5RE SY	D040R33087110F
FRONT	C731		nsp	90M-EJ000060R	ELECT CAP.	0.33UF-M/50V,3*5-5RE SY	D040R33087110F
FRONT	C732		nsp	90M-EJ000080R	ELECT CAP.	10UF-M/35V,5*5-5RE.SY	D040100085070F
FRONT	C733		nsp	90M-EJ000080R	ELECT CAP.	10UF-M/35V,5*5-5RE.SY	D040100085070F
FRONT	C734		nsp	90M-EJ000080R	ELECT CAP.	10UF-M/35V,5*5-5RE.SY	D040100085070F

NOTE : "nsp" PART IS LISTED FOR REFERENCE ONLY, MARANTZ WILL NOT SUPPLY THESE PARTS.

P.C.B. NAME	POS. NO.	VERS. COLOR	PART NO. (FOR EUR)	PART NO. (MZ)	PART NAME	DESCRIPTION	
FRONT	C735		nsp	90M-EJ000080R	ELECT CAP.	10UF-M/35V,5*5-5RE.SY	D040100085070F
FRONT	C736		nsp	nsp	FILM CAP.	MI-0.022UF-J/50V-5RE	D020223167050P
FRONT	C737		nsp	nsp	FILM CAP.	MI-0.022UF-J/50V-5RE	D020223167050P
FRONT	C738		nsp	nsp	FILM CAP.	MI-0.022UF-J/50V-5RE	D020223167050P
FRONT	C739		nsp	nsp	FILM CAP.	MI-0.022UF-J/50V-5RE	D020223167050P
FRONT	C740		nsp	00MDK96561300	CER. CAP.	X7R 560PF-K/50V-1608	D011561777180S
FRONT	C741		nsp	00MDK96561300	CER. CAP.	X7R 560PF-K/50V-1608	D011561777180S
FRONT	C742		nsp	00MEJ47601610	ELECT CAP.	47UF-M/16V,5*7-5RE SY	D040470083060F
FRONT	C743		nsp	00MEJ47601610	ELECT CAP.	47UF-M/16V,5*7-5RE SY	D040470083060F
FRONT	C744		nsp	00MDK96561300	CER. CAP.	X7R 560PF-K/50V-1608	D011561777180S
FRONT	C745		nsp	00MDK96561300	CER. CAP.	X7R 560PF-K/50V-1608	D011561777180S
FRONT	C746		nsp	00MDK96103300	CER. CAP.	X7R0.01UF-K/50V-1608	D011103777160S
FRONT	C747		nsp	00MDK96103300	CER. CAP.	X7R0.01UF-K/50V-1608	D011103777160S
FRONT	C748		nsp	00MDK96561300	CER. CAP.	X7R 560PF-K/50V-1608	D011561777180S
FRONT	C749		nsp	00MDK96561300	CER. CAP.	X7R 560PF-K/50V-1608	D011561777180S
FRONT	C750		nsp	00MDK96103300	CER. CAP.	X7R0.01UF-K/50V-1608	D011103777160S
FRONT	C751		nsp	00MDK96103300	CER. CAP.	X7R0.01UF-K/50V-1608	D011103777160S
FRONT	C752		nsp	00MDK96104300	CER. CAP.	X7R0.1UF-K/50V-1608	D011104577160S
FRONT	CP701		90M-YP100390R	90M-YP100390R	CONN.	TMC-D12P-A1 BLK 12P ST	L102120000030S
FRONT	CP702		90M-YP100390R	90M-YP100390R	CONN.	TMC-D12P-A1 BLK 12P ST	L102120000030S
FRONT	CP703		nsp	nsp	CONN. CORD	300MM/5P 5264-05=CKM2509H-05	L000301050050S
FRONT	D702		nsp	00D9630219709	DIODE	1N4148W SOD-323	K005041480020S
FRONT	D703		nsp	00D9630219709	DIODE	1N4148W SOD-323	K005041480020S
FRONT	D704		nsp	00D9630219709	DIODE	1N4148W SOD-323	K005041480020S
FRONT	D705		nsp	00D9630219709	DIODE	1N4148W SOD-323	K005041480020S
FRONT	FLT101		90M-HQ300700R	90M-HQ300700R	DISPLAY	HCI-16SM14T 106*25 GREEN	K530161400010S
FRONT	HDJAC701		90M-YT004740R	90M-YT004740R	TERMINAL	HTJ035-18AB(SILVER)	G401035180020S
FRONT	IC700		90M-HC400040R	90M-HC400040R	IC	BA4558F-E2/SOP8P	J121455800140S
FRONT	IC701		90M-HC400040R	90M-HC400040R	IC	BA4558F-E2/SOP8P	J121455800140S
FRONT	J701		nsp	nsp	CORD	JUMPER (0.6/52MM)	L045084006040S
FRONT	J702		nsp	00MNN05000610	CHIP RES.	0-J,1/16W-1608	C20000006M160F
FRONT	J703		nsp	nsp	CORD	JUMPER (0.6/52MM)	L045084006040S
FRONT	J704		nsp	nsp	CORD	JUMPER (0.6/52MM)	L045084006040S
FRONT	J705		nsp	nsp	CHIP RES.	0-J,1/8W-3216	C200000061300F
FRONT	J706		nsp	nsp	CORD	JUMPER (0.6/52MM)	L045084006040S
FRONT	J707		nsp	nsp	CORD	JUMPER (0.6/52MM)	L045084006040S
FRONT	J708		nsp	nsp	CORD	JUMPER (0.6/52MM)	L045084006040S
FRONT	J709		nsp	nsp	CORD	JUMPER (0.6/52MM)	L045084006040S
FRONT	J710		nsp	nsp	CORD	JUMPER (0.6/52MM)	L045084006040S
FRONT	J711		nsp	nsp	CORD	JUMPER (0.6/52MM)	L045084006040S
FRONT	J712		nsp	nsp	CORD	JUMPER (0.6/52MM)	L045084006040S
FRONT	J713		nsp	nsp	CORD	JUMPER (0.6/52MM)	L045084006040S
FRONT	J714		nsp	nsp	CHIP RES.	0-J,1/8W-3216	C200000061300F
FRONT	J715		nsp	nsp	CHIP RES.	0-J,1/8W-3216	C200000061300F
FRONT	J716		nsp	nsp	CHIP RES.	0-J,1/8W-3216	C200000061300F
FRONT	J717		nsp	nsp	CHIP RES.	0-J,1/8W-3216	C200000061300F
FRONT	J718		nsp	00MNN05000610	CHIP RES.	0-J,1/16W-1608	C20000006M160F
FRONT	J719		nsp	00MNN05000610	CHIP RES.	0-J,1/16W-1608	C20000006M160F
FRONT	J720		nsp	nsp	CHIP RES.	0-J,1/8W-3216	C200000061300F
FRONT	J721		nsp	nsp	CORD	JUMPER (0.6/52MM)	L045084006040S
FRONT	J722		nsp	nsp	CORD	JUMPER (0.6/52MM)	L045084006040S
FRONT	J723		nsp	00MNN05000610	CHIP RES.	0-J,1/16W-1608	C20000006M160F
FRONT	J724		nsp	00MNN05000610	CHIP RES.	0-J,1/16W-1608	C20000006M160F
FRONT	J725		nsp	nsp	CHIP RES.	0-J,1/8W-3216	C200000061300F
FRONT	J726		nsp	nsp	CHIP RES.	0-J,1/8W-3216	C200000061300F
FRONT	J727		nsp	nsp	CHIP RES.	0-J,1/8W-3216	C200000061300F
FRONT	J728		nsp	nsp	CHIP RES.	0-J,1/8W-3216	C200000061300F
FRONT	J729		nsp	nsp	CHIP RES.	0-J,1/8W-3216	C200000061300F
FRONT	J730		nsp	nsp	CHIP RES.	0-J,1/8W-3216	C200000061300F
FRONT	J731		nsp	nsp	CORD	JUMPER (0.6/52MM)	L045084006040S
FRONT	J732		nsp	nsp	CHIP RES.	0-J,1/8W-3216	C200000061300F
FRONT	J733		nsp	00MNN05000610	CHIP RES.	0-J,1/16W-1608	C20000006M160F
FRONT	J735		nsp	nsp	CORD	JUMPER (0.6/52MM)	L045084006040S
FRONT	J741		nsp	nsp	CORD	JUMPER (0.6/52MM)	L045084006040S
FRONT	LED101		90M-HI101150R	90M-HI101150R	L.E.D.	SPR-39MVW GREEN/RED 3.1PI	K500035200010S
FRONT	Q701		90M-BA001580R	90M-BA001580R	TRS.	KRC114M T/P	J502011400050
FRONT	Q704		90M-BA001580R	90M-BA001580R	TRS.	KRC114M T/P	J502011400050

NOTE : \*nsp\* PART IS LISTED FOR REFERENCE ONLY, MARANTZ WILL NOT SUPPLY THESE PARTS.



P.C.B. NAME	POS. NO.	VERS. COLOR	PART NO. (FOR EUR)	PART NO. (MZ)	PART NAME	DESCRIPTION	
FRONT	R701		nsp	00MNN05221610	CHIP RES.	220-J,1/16W-1608	C20002216M160F
FRONT	R702		nsp	00MNN05221610	CHIP RES.	220-J,1/16W-1608	C20002216M160F
FRONT	R703		nsp	00MNN05221610	CHIP RES.	220-J,1/16W-1608	C20002216M160F
FRONT	R704		nsp	00MNN05221610	CHIP RES.	220-J,1/16W-1608	C20002216M160F
FRONT	R705		nsp	nsp	RES.	10-J,1/5W-52RE-AX	C00001006P520F
FRONT	R707		nsp	00MNN05822610	CHIP RES.	8.2K-J,1/16W-1608	C20008226M160F
FRONT	R708		nsp	nsp	RES.	560-J,1/5W-52RE-AX	C00005616P520F
FRONT	R709		nsp	nsp	RES.	560-J,1/5W-52RE-AX	C00005616P520F
FRONT	R710		nsp	00MNN05561610	CHIP RES.	560-J,1/16W-1608	C20005616M160F
FRONT	R711		nsp	00MNN05561610	CHIP RES.	560-J,1/16W-1608	C20005616M160F
FRONT	R712		nsp	nsp	RES.	3.9K-J,1/5W-52RE-AX	C00003926P520F
FRONT	R713		nsp	00MNN05682610	CHIP RES.	6.8K-J,1/16W-1608	C20006826M160F
FRONT	R714		nsp	00MNN05153610	CHIP RES.	15K-J,1/16W-1608	C20001536M160F
FRONT	R715		nsp	00MNN05682610	CHIP RES.	6.8K-J,1/16W-1608	C20006826M160F
FRONT	R716		nsp	nsp	RES.	15K-J,1/5W-52RE-AX	C00001536P520F
FRONT	R717		nsp	nsp	RES.	3.9K-J,1/5W-52RE-AX	C00003926P520F
FRONT	R718		nsp	00MNN05103610	CHIP RES.	10K-J,1/16W-1608	C20001036M160F
FRONT	R719		nsp	00MNN05103610	CHIP RES.	10K-J,1/16W-1608	C20001036M160F
FRONT	R720		nsp	nsp	RES.	22-J,1/5W-52RE-AX	C00002206P520F
FRONT	R721		nsp	nsp	RES.	560-J,1/5W-52RE-AX	C00005616P520F
FRONT	R722		nsp	00MNN05101610	CHIP RES.	100-J,1/16W-1608	C20001016M160F
FRONT	R723		nsp	00MNN05101610	CHIP RES.	100-J,1/16W-1608	C20001016M160F
FRONT	R724		nsp	00MNN05103610	CHIP RES.	10K-J,1/16W-1608	C20001036M160F
FRONT	R725		nsp	00MNN05103610	CHIP RES.	10K-J,1/16W-1608	C20001036M160F
FRONT	R726		nsp	nsp	RES.	10K-J,1/5W-52RE-AX	C00001036P520F
FRONT	R727		nsp	00MNN05101610	CHIP RES.	100-J,1/16W-1608	C20001016M160F
FRONT	R728		nsp	00MNN05101610	CHIP RES.	100-J,1/16W-1608	C20001016M160F
FRONT	R729		nsp	00MNN05474610	CHIP RES.	470K-J,1/16W-1608	C20004746M160F
FRONT	R730		nsp	00MNN05474610	CHIP RES.	470K-J,1/16W-1608	C20004746M160F
FRONT	R731		nsp	00MNN05274610	CHIP RES.	270K-J,1/16W-1608	C20002746M160F
FRONT	R732		nsp	00MNN05274610	CHIP RES.	270K-J,1/16W-1608	C20002746M160F
FRONT	R733		nsp	00MNN05332610	CHIP RES.	3.3K-J,1/16W-1608	C20003326M160F
FRONT	R734		nsp	nsp	RES.	150-J,1/5W-52RE-AX	C00001516P520F
FRONT	R735		nsp	00MNN05562610	CHIP RES.	5.6K-J,1/16W-1608	C20005626M160F
FRONT	R736		nsp	00MNN05562610	CHIP RES.	5.6K-J,1/16W-1608	C20005626M160F
FRONT	R737		nsp	00MNN05562610	CHIP RES.	5.6K-J,1/16W-1608	C20005626M160F
FRONT	R738		nsp	00MNN05562610	CHIP RES.	5.6K-J,1/16W-1608	C20005626M160F
FRONT	R739		nsp	00MNN05152610	CHIP RES.	1.5K-J,1/16W-1608	C20001526M160F
FRONT	R740		nsp	00MNN05152610	CHIP RES.	1.5K-J,1/16W-1608	C20001526M160F
FRONT	R741		nsp	00MNN05152610	CHIP RES.	1.5K-J,1/16W-1608	C20001526M160F
FRONT	R742		nsp	00MNN05152610	CHIP RES.	1.5K-J,1/16W-1608	C20001526M160F
FRONT	R743		nsp	00MNN05152610	CHIP RES.	1.5K-J,1/16W-1608	C20001526M160F
FRONT	R744		nsp	00MNN05152610	CHIP RES.	1.5K-J,1/16W-1608	C20001526M160F
FRONT	R745		nsp	00MNN05152610	CHIP RES.	1.5K-J,1/16W-1608	C20001526M160F
FRONT	R746		nsp	00MNN05152610	CHIP RES.	1.5K-J,1/16W-1608	C20001526M160F
FRONT	R747		nsp	00MNN05562610	CHIP RES.	5.6K-J,1/16W-1608	C20005626M160F
FRONT	R748		nsp	00MNN05562610	CHIP RES.	5.6K-J,1/16W-1608	C20005626M160F
FRONT	R749		nsp	00MNN05333610	CHIP RES.	33K-J,1/16W-1608	C20003336M160F
FRONT	R750		nsp	00MNN05333610	CHIP RES.	33K-J,1/16W-1608	C20003336M160F
FRONT	R751		nsp	00MNN05104610	CHIP RES.	100K-J,1/16W-1608	C20001046M160F
FRONT	R752		nsp	00MNN05104610	CHIP RES.	100K-J,1/16W-1608	C20001046M160F
FRONT	R753		nsp	00MNN05101610	CHIP RES.	100-J,1/16W-1608	C20001016M160F
FRONT	R754		nsp	00MNN05101610	CHIP RES.	100-J,1/16W-1608	C20001016M160F
FRONT	R765		nsp	nsp	RES.	3.3K-J,1/5W-52RE-AX	C00003326P520F
FRONT	R766		nsp	00MNN05333610	CHIP RES.	33K-J,1/16W-1608	C20003336M160F
FRONT	R767		nsp	00MNN05333610	CHIP RES.	33K-J,1/16W-1608	C20003336M160F
FRONT	R783		nsp	00MNN05562610	CHIP RES.	5.6K-J,1/16W-1608	C20005626M160F
FRONT	R788		nsp	00MNN05562610	CHIP RES.	5.6K-J,1/16W-1608	C20005626M160F
FRONT	RMC700		90M-HW100760R	90M-HW100760R	PHOTO UNIT	BRM-1470B-NS-FB2.2 36KHZ	E940147000010S
FRONT	SW701		90M-SP001140R	90M-SP001140R	SW	SKHV10920A,5MM/260G	G180000270010S
FRONT	SW702		90M-SP001140R	90M-SP001140R	SW	SKHV10920A,5MM/260G	G180000270010S
FRONT	SW703		90M-SP001140R	90M-SP001140R	SW	SKHV10920A,5MM/260G	G180000270010S
FRONT	SW704		90M-SP001140R	90M-SP001140R	SW	SKHV10920A,5MM/260G	G180000270010S
FRONT	SW705		90M-SP001140R	90M-SP001140R	SW	SKHV10920A,5MM/260G	G180000270010S
FRONT	SW706		90M-SP001140R	90M-SP001140R	SW	SKHV10920A,5MM/260G	G180000270010S
FRONT	SW707		90M-SP001140R	90M-SP001140R	SW	SKHV10920A,5MM/260G	G180000270010S
FRONT	VR701		90M-RB000080R	90M-RB000080R	VAR. RES.	RK14K1270301-10KB*2	C454121300040S

NOTE : "nsp" PART IS LISTED FOR REFERENCE ONLY, MARANTZ WILL NOT SUPPLY THESE PARTS.

P.C.B. NAME	POS. NO.	VERS. COLOR	PART NO. (FOR EUR)	PART NO. (MZ)	PART NAME	DESCRIPTION	
FRONT	VR702		90M-RB000080R	90M-RB000080R	VAR. RES.	RK14K1270301-10KB*2	C454121300040S
FRONT	VR703		90M-SR000300R	90M-SR000300R	ROTARY SW	EC12B24S2036ZZZ 24PULSE/360'24	G121122420360
FRONT	ZD701		00MHD30511000	00MHD30511000	ZENER DIODE	MTZJ5.1B-0.5W/5MA-52MM	K06005R144520S
					<b>GUIDE PWB</b>		
GUIDE	CP506		90M-YJ002950R	90M-YJ002950R	CONN.	TUC-P12X-B1 BD-TO-BD 12P	L101100031210S
GUIDE	CP302		90M-YJ002960R	90M-YJ002960R	CONN.	TUC-P11X-B1 BD-TO-BD 11P	L101100031110S
					<b>MAIN PWB</b>		
MAIN	BEAD101		90M-FC900420R	90M-FC900420R	EMI FILTER	3580-52RE-AX	7610010030000S
MAIN	C101		nsp	00MDK96221300	CER. CAP.	COG220PF-J/50V-1608	D010221167160S
MAIN	C102		nsp	00MDK96221300	CER. CAP.	COG220PF-J/50V-1608	D010221167160S
MAIN	C103		nsp	00MDK96221300	CER. CAP.	COG220PF-J/50V-1608	D010221167160S
MAIN	C104		nsp	00MDK96221300	CER. CAP.	COG220PF-J/50V-1608	D010221167160S
MAIN	C105		nsp	00MDK96221300	CER. CAP.	COG220PF-J/50V-1608	D010221167160S
MAIN	C106		nsp	00MDK96221300	CER. CAP.	COG220PF-J/50V-1608	D010221167160S
MAIN	C107		nsp	00MDK96221300	CER. CAP.	COG220PF-J/50V-1608	D010221167160S
MAIN	C108		nsp	00MDK96221300	CER. CAP.	COG220PF-J/50V-1608	D010221167160S
MAIN	C109		nsp	00MDK96221300	CER. CAP.	COG220PF-J/50V-1608	D010221167160S
MAIN	C110		nsp	00MDK96221300	CER. CAP.	COG220PF-J/50V-1608	D010221167160S
MAIN	C111		nsp	00MOA10602520	ELECT CAP.	10UF-M/25V,5*11-5RE SY	D040100084050F
MAIN	C112		nsp	00MDK96331300	CER. CAP.	COG330PF-J/50V-1608	D010331167160S
MAIN	C113		nsp	00MOA10602520	ELECT CAP.	10UF-M/25V,5*11-5RE SY	D040100084050F
MAIN	C114		nsp	00MOA10602520	ELECT CAP.	10UF-M/25V,5*11-5RE SY	D040100084050F
MAIN	C115		nsp	00MDK96331300	CER. CAP.	COG330PF-J/50V-1608	D010331167160S
MAIN	C116		nsp	00MOA10602520	ELECT CAP.	10UF-M/25V,5*11-5RE SY	D040100084050F
MAIN	C117		nsp	00MOA22505020	ELECT CAP.	2.2UF-M/50V,5*11-5RE	D0402R2087100F
MAIN	C118		nsp	00MOA22505020	ELECT CAP.	2.2UF-M/50V,5*11-5RE	D0402R2087100F
MAIN	C119		nsp	00MOA22505020	ELECT CAP.	2.2UF-M/50V,5*11-5RE	D0402R2087100F
MAIN	C120		nsp	00MOA22505020	ELECT CAP.	2.2UF-M/50V,5*11-5RE	D0402R2087100F
MAIN	C121		nsp	00MOA22505020	ELECT CAP.	2.2UF-M/50V,5*11-5RE	D0402R2087100F
MAIN	C122		nsp	00MDK96103300	CER. CAP.	X7R0.01UF-K/50V-1608	D011103777160S
MAIN	C123		nsp	00MOA22700620	ELECT CAP.	220UF-M/6.3V,6.3*11-5RE-SMS SY	D040221081050F
MAIN	C124		nsp	00MDK96331300	CER. CAP.	COG330PF-J/50V-1608	D010331167160S
MAIN	C125		nsp	00MDK96103300	CER. CAP.	X7R0.01UF-K/50V-1608	D011103777160S
MAIN	C126		nsp	00MDK96103300	CER. CAP.	X7R0.01UF-K/50V-1608	D011103777160S
MAIN	C127		nsp	00MDK96103300	CER. CAP.	X7R0.01UF-K/50V-1608	D011103777160S
MAIN	C128		nsp	00MDK96221300	CER. CAP.	COG220PF-J/50V-1608	D010221167160S
MAIN	C129		nsp	00MDK96221300	CER. CAP.	COG220PF-J/50V-1608	D010221167160S
MAIN	C130		nsp	00MDK96221300	CER. CAP.	COG220PF-J/50V-1608	D010221167160S
MAIN	C131		nsp	00MOA22505020	ELECT CAP.	2.2UF-M/50V,5*11-5RE	D0402R2087100F
MAIN	C132		nsp	00MDK96331300	CER. CAP.	COG330PF-J/50V-1608	D010331167160S
MAIN	C133		nsp	00MDK96103300	CER. CAP.	X7R0.01UF-K/50V-1608	D011103777160S
MAIN	C134		nsp	00MDK96103300	CER. CAP.	X7R0.01UF-K/50V-1608	D011103777160S
MAIN	C135		nsp	00MDK96103300	CER. CAP.	X7R0.01UF-K/50V-1608	D011103777160S
MAIN	C136		nsp	00MDD95300300	CER. CAP.	COG30PF-J/50V-1608	D010300167160S
MAIN	C137		nsp	00MDD95300300	CER. CAP.	COG30PF-J/50V-1608	D010300167160S
MAIN	C138		nsp	00MDK96103300	CER. CAP.	X7R0.01UF-K/50V-1608	D011103777160S
MAIN	C139		nsp	00MOA22505020	ELECT CAP.	2.2UF-M/50V,5*11-5RE	D0402R2087100F
MAIN	C140		nsp	00MDK96103300	CER. CAP.	X7R0.01UF-K/50V-1608	D011103777160S
MAIN	C141		nsp	00MDK96103300	CER. CAP.	X7R0.01UF-K/50V-1608	D011103777160S
MAIN	C142		nsp	00MDK96221300	CER. CAP.	COG220PF-J/50V-1608	D010221167160S
MAIN	C143		nsp	00MDK96104300	CER. CAP.	X7R0.1UF-K/50V-1608	D011104577160S
MAIN	C144		nsp	00MDK96103300	CER. CAP.	X7R0.01UF-K/50V-1608	D011103777160S
MAIN	C191		nsp	00MOA22700620	ELECT CAP.	220UF-M/6.3V,6.3*11-5RE-SMS SY	D040221081050F
MAIN	C192		90M-EX000090R	90M-EX000090R	ELECT CAP.	H0.047F-70UA/5.5V-5RE	D090473904010S
MAIN	CN101		90M-YJ002980R	90M-YJ002980R	CONN.	TMC-D12X-A1 BLK 12P ST	L102120000040S
MAIN	CN102		90M-YJ002980R	90M-YJ002980R	CONN.	TMC-D12X-A1 BLK 12P ST	L102120000040S
MAIN	CN107		nsp	nsp	CONN.	SCB 1119-00 19P ST	L131111900010S
MAIN	CP104		90M-YP100370R	90M-YP100370R	CONN.	TUC-P11P-B1 BD-TO-BD 11P	L101100041110S
MAIN	CP105		90M-YP100360R	90M-YP100360R	CONN.	TUC-P17P-B1 BD-TO-BD 17P	L101100041710S
MAIN	CP106		nsp	nsp	CONN.	53014-0910 9P	L101530140910S
MAIN	CP107		90M-YP100350R	90M-YP100350R	CONN.	TUC-P04P-B1 BD-TO-BD 4P	L101100040410S
MAIN	CP108		nsp	nsp	CONN.	SCB 1113-00 13P ST	L131111300010S
MAIN	CP110		nsp	nsp	CONN.	G1L-S-7P-S2T2-EF	L101220070000S
MAIN	D101		nsp	00D9630219709	DIODE	1N4148W SOD-323	K005041480020S
MAIN	D102		nsp	00D9630219709	DIODE	1N4148W SOD-323	K005041480020S
MAIN	D103		nsp	00D9630219709	DIODE	1N4148W SOD-323	K005041480020S
MAIN	D104		nsp	00D9630219709	DIODE	1N4148W SOD-323	K005041480020S

NOTE : "nsp" PART IS LISTED FOR REFERENCE ONLY, MARANTZ WILL NOT SUPPLY THESE PARTS.

P.C.B. NAME	POS. NO.	VERS. COLOR	PART NO. (FOR EUR)	PART NO. (MZ)	PART NAME	DESCRIPTION	
MAIN	D105		nsp	00D9630219709	DIODE	1N4148W SOD-323	K005041480020S
MAIN	GND101		nsp	nsp	TERMINAL	PLATE GND	3070045526010S
MAIN	IC101		00MHC10125090	00MHC10125090	IC	NJU7313AL-SDIP28P	J040731300010S
MAIN	IC102		90M-HS01CW10R	90M-HS01CW10R	U-PRO	UPD78F0536GK(T)-UET-A QFP64	J020780536000S
MAIN	IC106		90M-HC109500R	90M-HC109500R	IC	M24C64-WMN6TP SOP8P	J000240640010S
MAIN	IC107		90M-HC700570R	90M-HC700570R	IC	MM74LCX244 TSSOP 20P	J040742440180P
MAIN	IC108		90M-HC700590R	90M-HC700590R	IC	MM74HCT244- TSSOP20	J040742440190P
MAIN	IC109		90M-HC700580R	90M-HC700580R	IC	74LCX08 TSSOP14	J040740800170S
MAIN	IC110		90M-HC400040R	90M-HC400040R	IC	BA4558F-E2/SOP8P	J121455800140S
MAIN	IC111		90M-HC109570R	90M-HC109570R	IC	KIA7042P, 4.2V/TO92	J125704200010S
MAIN	IC112		90M-HC400070R	90M-HC400070R	IC	BU4053BCFV-E2 SSOP16	J040405300160S
MAIN	J101		nsp	nsp	CORD	JUMPER (0.6/52MM)	L045084006040S
MAIN	J102		nsp	nsp	CORD	JUMPER (0.6/52MM)	L045084006040S
MAIN	J103		nsp	nsp	CORD	JUMPER (0.6/52MM)	L045084006040S
MAIN	J104		nsp	nsp	CORD	JUMPER (0.6/52MM)	L045084006040S
MAIN	J105		nsp	nsp	CORD	JUMPER (0.6/52MM)	L045084006040S
MAIN	J106		nsp	nsp	CORD	JUMPER (0.6/52MM)	L045084006040S
MAIN	J107		nsp	nsp	CORD	JUMPER (0.6/52MM)	L045084006040S
MAIN	J108		nsp	nsp	CORD	JUMPER (0.6/52MM)	L045084006040S
MAIN	J109		nsp	nsp	CORD	JUMPER (0.6/52MM)	L045084006040S
MAIN	J110		nsp	nsp	CORD	JUMPER (0.6/52MM)	L045084006040S
MAIN	J111		nsp	00MNN05000610	CHIP RES.	0-J,1/16W-1608	C20000006M160F
MAIN	J112		nsp	nsp	CORD	JUMPER (0.6/52MM)	L045084006040S
MAIN	J113		nsp	nsp	CORD	JUMPER (0.6/52MM)	L045084006040S
MAIN	J114		nsp	nsp	CORD	JUMPER (0.6/52MM)	L045084006040S
MAIN	J115		nsp	nsp	CORD	JUMPER (0.6/52MM)	L045084006040S
MAIN	J116		nsp	nsp	CORD	JUMPER (0.6/52MM)	L045084006040S
MAIN	J118		nsp	nsp	CORD	JUMPER (0.6/52MM)	L045084006040S
MAIN	J119		nsp	nsp	CORD	JUMPER (0.6/52MM)	L045084006040S
MAIN	J121		nsp	nsp	CORD	JUMPER (0.6/52MM)	L045084006040S
MAIN	J122		nsp	nsp	CORD	JUMPER (0.6/52MM)	L045084006040S
MAIN	J123		nsp	nsp	CORD	JUMPER (0.6/52MM)	L045084006040S
MAIN	J124		nsp	nsp	CORD	JUMPER (0.6/52MM)	L045084006040S
MAIN	J125		nsp	nsp	CORD	JUMPER (0.6/52MM)	L045084006040S
MAIN	J126		nsp	nsp	CORD	JUMPER (0.6/52MM)	L045084006040S
MAIN	J127		nsp	nsp	CORD	JUMPER (0.6/52MM)	L045084006040S
MAIN	J128		nsp	nsp	CORD	JUMPER (0.6/52MM)	L045084006040S
MAIN	J129		nsp	nsp	CORD	JUMPER (0.6/52MM)	L045084006040S
MAIN	J130		nsp	nsp	CORD	JUMPER (0.6/52MM)	L045084006040S
MAIN	J131		nsp	nsp	CORD	JUMPER (0.6/52MM)	L045084006040S
MAIN	J133		nsp	nsp	CORD	JUMPER (0.6/52MM)	L045084006040S
MAIN	J134		nsp	nsp	CORD	JUMPER (0.6/52MM)	L045084006040S
MAIN	J135		nsp	nsp	CORD	JUMPER (0.6/52MM)	L045084006040S
MAIN	J137		nsp	00MNN05000610	CHIP RES.	0-J,1/16W-1608	C20000006M160F
MAIN	J138		nsp	nsp	CORD	JUMPER (0.6/52MM)	L045084006040S
MAIN	J139		nsp	00MNN05000610	CHIP RES.	0-J,1/16W-1608	C20000006M160F
MAIN	J140		nsp	00MNN05000610	CHIP RES.	0-J,1/16W-1608	C20000006M160F
MAIN	J141		nsp	nsp	CORD	JUMPER (0.6/52MM)	L045084006040S
MAIN	J143		nsp	nsp	CORD	JUMPER (0.6/52MM)	L045084006040S
MAIN	J145		nsp	nsp	CORD	JUMPER (0.6/52MM)	L045084006040S
MAIN	J146		nsp	nsp	CORD	JUMPER (0.6/52MM)	L045084006040S
MAIN	J147		nsp	nsp	CORD	JUMPER (0.6/52MM)	L045084006040S
MAIN	J148		nsp	nsp	CORD	JUMPER (0.6/52MM)	L045084006040S
MAIN	J149		nsp	nsp	CORD	JUMPER (0.6/52MM)	L045084006040S
MAIN	J150		nsp	nsp	CORD	JUMPER (0.6/52MM)	L045084006040S
MAIN	J151		nsp	nsp	CORD	JUMPER (0.6/52MM)	L045084006040S
MAIN	J152		nsp	nsp	CORD	JUMPER (0.6/52MM)	L045084006040S
MAIN	J153		nsp	nsp	CORD	JUMPER (0.6/52MM)	L045084006040S
MAIN	J154		nsp	nsp	CHIP RES.	0-J,1/8W-3216	C200000061300F
MAIN	J155		nsp	nsp	CORD	JUMPER (0.6/52MM)	L045084006040S
MAIN	J156		nsp	nsp	CORD	JUMPER (0.6/52MM)	L045084006040S
MAIN	J157		nsp	nsp	CORD	JUMPER (0.6/52MM)	L045084006040S
MAIN	J158		nsp	nsp	CORD	JUMPER (0.6/52MM)	L045084006040S
MAIN	J159		nsp	nsp	CORD	JUMPER (0.6/52MM)	L045084006040S
MAIN	J160		nsp	nsp	CORD	JUMPER (0.6/52MM)	L045084006040S
MAIN	J161		nsp	nsp	CORD	JUMPER (0.6/52MM)	L045084006040S
MAIN	J162		nsp	nsp	CORD	JUMPER (0.6/52MM)	L045084006040S

NOTE : "nsp" PART IS LISTED FOR REFERENCE ONLY, MARANTZ WILL NOT SUPPLY THESE PARTS.

P.C.B. NAME	POS. NO.	VERS. COLOR	PART NO. (FOR EUR)	PART NO. (MZ)	PART NAME	DESCRIPTION	
MAIN	J163		nsp	nsp	CORD	JUMPER (0.6/52MM)	L045084006040S
MAIN	J164		nsp	nsp	CORD	JUMPER (0.6/52MM)	L045084006040S
MAIN	J165		nsp	nsp	CORD	JUMPER (0.6/52MM)	L045084006040S
MAIN	J166		nsp	00MNN05000610	CHIP RES.	0-J,1/16W-1608	C20000006M160F
MAIN	J167		nsp	nsp	CORD	JUMPER (0.6/52MM)	L045084006040S
MAIN	J169		nsp	nsp	CORD	JUMPER (0.6/52MM)	L045084006040S
MAIN	J170		nsp	nsp	CORD	JUMPER (0.6/52MM)	L045084006040S
MAIN	J171		nsp	nsp	CHIP RES.	0-J,1/8W-3216	C200000061300F
MAIN	J172		nsp	nsp	CORD	JUMPER (0.6/52MM)	L045084006040S
MAIN	J173		nsp	nsp	CORD	JUMPER (0.6/52MM)	L045084006040S
MAIN	J174		nsp	nsp	CORD	JUMPER (0.6/52MM)	L045084006040S
MAIN	J175		nsp	nsp	CORD	JUMPER (0.6/52MM)	L045084006040S
MAIN	J176		nsp	nsp	CORD	JUMPER (0.6/52MM)	L045084006040S
MAIN	J177		nsp	nsp	CORD	JUMPER (0.6/52MM)	L045084006040S
MAIN	J178		nsp	nsp	CHIP RES.	0-J,1/8W-3216	C200000061300F
MAIN	J179		nsp	nsp	CHIP RES.	0-J,1/8W-3216	C200000061300F
MAIN	J180		nsp	nsp	CHIP RES.	0-J,1/8W-3216	C200000061300F
MAIN	J181		nsp	nsp	CHIP RES.	0-J,1/8W-3216	C200000061300F
MAIN	J182		nsp	nsp	CHIP RES.	0-J,1/8W-3216	C200000061300F
MAIN	J183		nsp	nsp	CHIP RES.	0-J,1/8W-3216	C200000061300F
MAIN	J184		nsp	nsp	CORD	JUMPER (0.6/52MM)	L045084006040S
MAIN	J185		nsp	nsp	CORD	JUMPER (0.6/52MM)	L045084006040S
MAIN	J186		nsp	nsp	CORD	JUMPER (0.6/52MM)	L045084006040S
MAIN	J187		nsp	nsp	CORD	JUMPER (0.6/52MM)	L045084006040S
MAIN	J188		nsp	nsp	CORD	JUMPER (0.6/52MM)	L045084006040S
MAIN	J189		nsp	nsp	CORD	JUMPER (0.6/52MM)	L045084006040S
MAIN	J190		nsp	nsp	CORD	JUMPER (0.6/52MM)	L045084006040S
MAIN	J191		nsp	nsp	CORD	JUMPER (0.6/52MM)	L045084006040S
MAIN	J192		nsp	nsp	CHIP RES.	0-J,1/8W-3216	C200000061300F
MAIN	J193		nsp	nsp	CORD	JUMPER (0.6/52MM)	L045084006040S
MAIN	J194		nsp	nsp	CORD	JUMPER (0.6/52MM)	L045084006040S
MAIN	J195		nsp	nsp	CORD	JUMPER (0.6/52MM)	L045084006040S
MAIN	J196		nsp	nsp	CHIP RES.	0-J,1/8W-3216	C200000061300F
MAIN	J197		nsp	nsp	CHIP RES.	0-J,1/8W-3216	C200000061300F
MAIN	J198		nsp	nsp	CORD	JUMPER (0.6/52MM)	L045084006040S
MAIN	J199		nsp	nsp	CORD	JUMPER (0.6/52MM)	L045084006040S
MAIN	J200		nsp	nsp	CORD	JUMPER (0.6/52MM)	L045084006040S
MAIN	J201		nsp	nsp	CORD	JUMPER (0.6/52MM)	L045084006040S
MAIN	J202		nsp	nsp	CORD	JUMPER (0.6/52MM)	L045084006040S
MAIN	J203		nsp	nsp	CORD	JUMPER (0.6/52MM)	L045084006040S
MAIN	J204		nsp	nsp	CORD	JUMPER (0.6/52MM)	L045084006040S
MAIN	J205		nsp	nsp	CHIP RES.	0-J,1/8W-3216	C200000061300F
MAIN	J206		nsp	nsp	CORD	JUMPER (0.6/52MM)	L045084006040S
MAIN	J207		nsp	nsp	CORD	JUMPER (0.6/52MM)	L045084006040S
MAIN	J208		nsp	nsp	CORD	JUMPER (0.6/52MM)	L045084006040S
MAIN	J209		nsp	nsp	CORD	JUMPER (0.6/52MM)	L045084006040S
MAIN	J210		nsp	nsp	CORD	JUMPER (0.6/52MM)	L045084006040S
MAIN	J211		nsp	nsp	CORD	JUMPER (0.6/52MM)	L045084006040S
MAIN	J212		nsp	nsp	CORD	JUMPER (0.6/52MM)	L045084006040S
MAIN	J213		nsp	nsp	CORD	JUMPER (0.6/52MM)	L045084006040S
MAIN	J214		nsp	nsp	CORD	JUMPER (0.6/52MM)	L045084006040S
MAIN	J215		nsp	nsp	CORD	JUMPER (0.6/52MM)	L045084006040S
MAIN	J216		nsp	nsp	CORD	JUMPER (0.6/52MM)	L045084006040S
MAIN	J217		nsp	nsp	CORD	JUMPER (0.6/52MM)	L045084006040S
MAIN	J218		nsp	nsp	CHIP RES.	0-J,1/8W-3216	C200000061300F
MAIN	J219		nsp	nsp	CORD	JUMPER (0.6/52MM)	L045084006040S
MAIN	J220		nsp	nsp	CHIP RES.	0-J,1/8W-3216	C200000061300F
MAIN	J221		nsp	nsp	CHIP RES.	0-J,1/8W-3216	C200000061300F
MAIN	J222		nsp	nsp	CHIP RES.	0-J,1/8W-3216	C200000061300F
MAIN	J223		nsp	nsp	CHIP RES.	0-J,1/8W-3216	C200000061300F
MAIN	J224		nsp	nsp	CORD	JUMPER (0.6/52MM)	L045084006040S
MAIN	J225		nsp	nsp	CORD	JUMPER (0.6/52MM)	L045084006040S
MAIN	J226		nsp	nsp	CORD	JUMPER (0.6/52MM)	L045084006040S
MAIN	J227		nsp	nsp	CORD	JUMPER (0.6/52MM)	L045084006040S
MAIN	J228		nsp	nsp	CORD	JUMPER (0.6/52MM)	L045084006040S
MAIN	J229		nsp	nsp	CHIP RES.	0-J,1/8W-3216	C200000061300F
MAIN	J230		nsp	nsp	CHIP RES.	0-J,1/8W-3216	C200000061300F

NOTE : "nsp" PART IS LISTED FOR REFERENCE ONLY, MARANTZ WILL NOT SUPPLY THESE PARTS.

P.C.B. NAME	POS. NO.	VERS. COLOR	PART NO. (FOR EUR)	PART NO. (MZ)	PART NAME	DESCRIPTION	
MAIN	J231		nsp	nsp	CORD	JUMPER (0.6/52MM)	L045084006040S
MAIN	J232		nsp	nsp	CORD	JUMPER (0.6/52MM)	L045084006040S
MAIN	J233		nsp	00MNN05000610	CHIP RES.	0-J,1/16W-1608	C20000006M160F
MAIN	J234		nsp	nsp	CORD	JUMPER (0.6/52MM)	L045084006040S
MAIN	J235		nsp	nsp	CORD	JUMPER (0.6/52MM)	L045084006040S
MAIN	J236		nsp	nsp	CORD	JUMPER (0.6/52MM)	L045084006040S
MAIN	J238		nsp	nsp	CORD	JUMPER (0.6/52MM)	L045084006040S
MAIN	J239		nsp	nsp	CORD	JUMPER (0.6/52MM)	L045084006040S
MAIN	J240		nsp	nsp	CORD	JUMPER (0.6/52MM)	L045084006040S
MAIN	J241		nsp	nsp	CORD	JUMPER (0.6/52MM)	L045084006040S
MAIN	J243		nsp	nsp	CORD	JUMPER (0.6/52MM)	L045084006040S
MAIN	J244		nsp	nsp	CORD	JUMPER (0.6/52MM)	L045084006040S
MAIN	J245		nsp	nsp	CHIP RES.	0-J,1/8W-3216	C200000061300F
MAIN	J246		nsp	nsp	CORD	JUMPER (0.6/52MM)	L045084006040S
MAIN	J248		nsp	nsp	CORD	JUMPER (0.6/52MM)	L045084006040S
MAIN	J249		nsp	nsp	CORD	JUMPER (0.6/52MM)	L045084006040S
MAIN	J250		nsp	nsp	CORD	JUMPER (0.6/52MM)	L045084006040S
MAIN	J252		nsp	nsp	CORD	JUMPER (0.6/52MM)	L045084006040S
MAIN	J253		nsp	nsp	CORD	JUMPER (0.6/52MM)	L045084006040S
MAIN	J254		nsp	nsp	CORD	JUMPER (0.6/52MM)	L045084006040S
MAIN	J255		nsp	nsp	CHIP RES.	0-J,1/8W-3216	C200000061300F
MAIN	J256		nsp	nsp	CORD	JUMPER (0.6/52MM)	L045084006040S
MAIN	J257		nsp	nsp	CORD	JUMPER (0.6/52MM)	L045084006040S
MAIN	J258		nsp	nsp	CHIP RES.	0-J,1/8W-3216	C200000061300F
MAIN	J259		nsp	nsp	CORD	JUMPER (0.6/52MM)	L045084006040S
MAIN	J260		nsp	nsp	CORD	JUMPER (0.6/52MM)	L045084006040S
MAIN	J261		nsp	nsp	CORD	JUMPER (0.6/52MM)	L045084006040S
MAIN	J262		nsp	nsp	CHIP RES.	0-J,1/8W-3216	C200000061300F
MAIN	J263		nsp	nsp	CHIP RES.	0-J,1/8W-3216	C200000061300F
MAIN	J264		nsp	nsp	CHIP RES.	0-J,1/8W-3216	C200000061300F
MAIN	J266		nsp	00MNN05000610	CHIP RES.	0-J,1/16W-1608	C20000006M160F
MAIN	J267		nsp	nsp	CHIP RES.	0-J,1/8W-3216	C200000061300F
MAIN	J268		nsp	nsp	CORD	JUMPER (0.6/52MM)	L045084006040S
MAIN	J269		nsp	nsp	CORD	JUMPER (0.6/52MM)	L045084006040S
MAIN	J270		nsp	nsp	CHIP RES.	0-J,1/8W-3216	C200000061300F
MAIN	J271		nsp	nsp	CORD	JUMPER (0.6/52MM)	L045084006040S
MAIN	J272		nsp	nsp	CORD	JUMPER (0.6/52MM)	L045084006040S
MAIN	J273		nsp	nsp	CHIP RES.	0-J,1/8W-3216	C200000061300F
MAIN	J275		nsp	nsp	CHIP RES.	0-J,1/8W-3216	C200000061300F
MAIN	J278		nsp	nsp	CHIP RES.	0-J,1/8W-3216	C200000061300F
MAIN	J279		nsp	nsp	CORD	JUMPER (0.6/52MM)	L045084006040S
MAIN	J280		nsp	nsp	CORD	JUMPER (0.6/52MM)	L045084006040S
MAIN	J281		nsp	nsp	CORD	JUMPER (0.6/52MM)	L045084006040S
MAIN	J282		nsp	nsp	CORD	JUMPER (0.6/52MM)	L045084006040S
MAIN	J283		nsp	nsp	CHIP RES.	0-J,1/8W-3216	C200000061300F
MAIN	J284		nsp	nsp	CHIP RES.	0-J,1/8W-3216	C200000061300F
MAIN	J285		nsp	nsp	CHIP RES.	0-J,1/8W-3216	C200000061300F
MAIN	J286		nsp	nsp	CHIP RES.	0-J,1/8W-3216	C200000061300F
MAIN	J287		nsp	nsp	CORD	JUMPER (0.6/52MM)	L045084006040S
MAIN	J288		nsp	nsp	CHIP RES.	0-J,1/8W-3216	C200000061300F
MAIN	J289		nsp	nsp	CORD	JUMPER (0.6/52MM)	L045084006040S
MAIN	J290		nsp	nsp	CORD	JUMPER (0.6/52MM)	L045084006040S
MAIN	J291		nsp	nsp	CHIP RES.	0-J,1/8W-3216	C200000061300F
MAIN	J292		nsp	nsp	CHIP RES.	0-J,1/8W-3216	C200000061300F
MAIN	J293		nsp	nsp	CORD	JUMPER (0.6/52MM)	L045084006040S
MAIN	J294		nsp	nsp	CORD	JUMPER (0.6/52MM)	L045084006040S
MAIN	J295		nsp	nsp	CORD	JUMPER (0.6/52MM)	L045084006040S
MAIN	J296		nsp	nsp	CORD	JUMPER (0.6/52MM)	L045084006040S
MAIN	J297		nsp	nsp	CORD	JUMPER (0.6/52MM)	L045084006040S
MAIN	J298		nsp	nsp	CHIP RES.	0-J,1/8W-3216	C200000061300F
MAIN	J299		nsp	nsp	CORD	JUMPER (0.6/52MM)	L045084006040S
MAIN	J300		nsp	nsp	CORD	JUMPER (0.6/52MM)	L045084006040S
MAIN	J301		nsp	00MNN05000610	CHIP RES.	0-J,1/16W-1608	C20000006M160F
MAIN	J302		nsp	nsp	CORD	JUMPER (0.6/52MM)	L045084006040S
MAIN	J303		nsp	nsp	CORD	JUMPER (0.6/52MM)	L045084006040S
MAIN	J304		nsp	nsp	CORD	JUMPER (0.6/52MM)	L045084006040S
MAIN	J305		nsp	nsp	CORD	JUMPER (0.6/52MM)	L045084006040S

NOTE : "nsp" PART IS LISTED FOR REFERENCE ONLY, MARANTZ WILL NOT SUPPLY THESE PARTS.

P.C.B. NAME	POS. NO.	VERS. COLOR	PART NO. (FOR EUR)	PART NO. (MZ)	PART NAME	DESCRIPTION	
MAIN	J306		nsp	nsp	CORD	JUMPER (0.6/52MM)	L045084006040S
MAIN	J307		nsp	nsp	CORD	JUMPER (0.6/52MM)	L045084006040S
MAIN	J308		nsp	nsp	CORD	JUMPER (0.6/52MM)	L045084006040S
MAIN	J309		nsp	nsp	CORD	JUMPER (0.6/52MM)	L045084006040S
MAIN	J310		nsp	nsp	CORD	JUMPER (0.6/52MM)	L045084006040S
MAIN	J311		nsp	nsp	CORD	JUMPER (0.6/52MM)	L045084006040S
MAIN	J312		nsp	nsp	CORD	JUMPER (0.6/52MM)	L045084006040S
MAIN	J313		nsp	nsp	CORD	JUMPER (0.6/52MM)	L045084006040S
MAIN	J314		nsp	nsp	CORD	JUMPER (0.6/52MM)	L045084006040S
MAIN	J315		nsp	nsp	CORD	JUMPER (0.6/52MM)	L045084006040S
MAIN	J316		nsp	nsp	CHIP RES.	0-J,1/8W-3216	C200000061300F
MAIN	J321		nsp	nsp	CHIP RES.	0-J,1/8W-3216	C200000061300F
MAIN	J323		nsp	nsp	CHIP RES.	0-J,1/8W-3216	C200000061300F
MAIN	J324		nsp	nsp	CHIP RES.	0-J,1/8W-3216	C200000061300F
MAIN	J325		nsp	nsp	CHIP RES.	0-J,1/8W-3216	C200000061300F
MAIN	J326		nsp	nsp	CHIP RES.	0-J,1/8W-3216	C200000061300F
MAIN	J327		nsp	00MNN05000610	CHIP RES.	0-J,1/16W-1608	C20000006M160F
MAIN	J328		nsp	nsp	CORD	JUMPER (0.6/52MM)	L045084006040S
MAIN	J329		nsp	nsp	CORD	JUMPER (0.6/52MM)	L045084006040S
MAIN	J330		nsp	nsp	CORD	JUMPER (0.6/52MM)	L045084006040S
MAIN	J331		nsp	00MNN05000610	CHIP RES.	0-J,1/16W-1608	C20000006M160F
MAIN	J332		nsp	00MNN05000610	CHIP RES.	0-J,1/16W-1608	C20000006M160F
MAIN	J333		nsp	00MNN05000610	CHIP RES.	0-J,1/16W-1608	C20000006M160F
MAIN	J334		nsp	00MNN05000610	CHIP RES.	0-J,1/16W-1608	C20000006M160F
MAIN	J335		nsp	00MNN05000610	CHIP RES.	0-J,1/16W-1608	C20000006M160F
MAIN	JACK101		90M-YT004780R	90M-YT004780R	TERMINAL	RCA-610D-00-02	G603060056000S
MAIN	JACK102		90M-YT004760R	90M-YT004760R	TERMINAL	CINCH JACK 4PIN RCA-405B-03	G608040450000S
MAIN	Q103		90M-HT300870R	90M-HT300870R	TRS.	KTC2875B(MB) SOT23(RTK)	J5222875B0010S
MAIN	Q104		90M-HT300870R	90M-HT300870R	TRS.	KTC2875B(MB) SOT23(RTK)	J5222875B0010S
MAIN	Q105		90M-BA001540R	90M-BA001540R	TRS.	KRA101S R1,R2=4.7K SOT-23	J520010100010S
MAIN	Q106		90M-BA001160R	90M-BA001160R	TRS.	TR CHIP KRC107S SOT23	J5020107S0050S
MAIN	Q107		00D9630066606	00D9630066606	TRS.	KTC3875Y(ALY) 0.15W/SMT	J5223875Y0210S
MAIN	Q108		90M-HT300870R	90M-HT300870R	TRS.	KTC2875B(MB) SOT23(RTK)	J5222875B0010S
MAIN	Q109		90M-HT300870R	90M-HT300870R	TRS.	KTC2875B(MB) SOT23(RTK)	J5222875B0010S
MAIN	R101		nsp	00MNN05471610	CHIP RES.	470-J,1/16W-1608	C20004716M160F
MAIN	R102		nsp	00MNN05471610	CHIP RES.	470-J,1/16W-1608	C20004716M160F
MAIN	R103		nsp	00MNN05473610	CHIP RES.	47K-J,1/16W-1608	C20004736M160F
MAIN	R104		nsp	00MNN05473610	CHIP RES.	47K-J,1/16W-1608	C20004736M160F
MAIN	R111		nsp	00MNN05474610	CHIP RES.	470K-J,1/16W-1608	C20004746M160F
MAIN	R112		nsp	00MNN05474610	CHIP RES.	470K-J,1/16W-1608	C20004746M160F
MAIN	R113		nsp	00MNN05474610	CHIP RES.	470K-J,1/16W-1608	C20004746M160F
MAIN	R114		nsp	00MNN05474610	CHIP RES.	470K-J,1/16W-1608	C20004746M160F
MAIN	R115		nsp	00MNN05471610	CHIP RES.	470-J,1/16W-1608	C20004716M160F
MAIN	R116		nsp	00MNN05471610	CHIP RES.	470-J,1/16W-1608	C20004716M160F
MAIN	R117		nsp	00MNN05474610	CHIP RES.	470K-J,1/16W-1608	C20004746M160F
MAIN	R118		nsp	00MNN05474610	CHIP RES.	470K-J,1/16W-1608	C20004746M160F
MAIN	R119		nsp	00MNN05471610	CHIP RES.	470-J,1/16W-1608	C20004716M160F
MAIN	R120		nsp	00MNN05471610	CHIP RES.	470-J,1/16W-1608	C20004716M160F
MAIN	R121		nsp	00MNN05474610	CHIP RES.	470K-J,1/16W-1608	C20004746M160F
MAIN	R122		nsp	00MNN05474610	CHIP RES.	470K-J,1/16W-1608	C20004746M160F
MAIN	R123		nsp	00MNN05471610	CHIP RES.	470-J,1/16W-1608	C20004716M160F
MAIN	R124		nsp	00MNN05471610	CHIP RES.	470-J,1/16W-1608	C20004716M160F
MAIN	R125		nsp	00MNN05474610	CHIP RES.	470K-J,1/16W-1608	C20004746M160F
MAIN	R126		nsp	00MNN05474610	CHIP RES.	470K-J,1/16W-1608	C20004746M160F
MAIN	R127		nsp	00MNN05471610	CHIP RES.	470-J,1/16W-1608	C20004716M160F
MAIN	R128		nsp	00MNN05471610	CHIP RES.	470-J,1/16W-1608	C20004716M160F
MAIN	R129		nsp	00MNN05222610	CHIP RES.	2.2K-J,1/16W-1608	C20002226M160F
MAIN	R130		nsp	00MNN05104610	CHIP RES.	100K-J,1/16W-1608	C20001046M160F
MAIN	R131		nsp	00MNN05561610	CHIP RES.	560-J,1/16W-1608	C20005616M160F
MAIN	R132		nsp	00MNN05561610	CHIP RES.	560-J,1/16W-1608	C20005616M160F
MAIN	R133		nsp	00MNN05561610	CHIP RES.	560-J,1/16W-1608	C20005616M160F
MAIN	R134		nsp	00MNN05102610	CHIP RES.	1K-J,1/16W-1608	C20001026M160F
MAIN	R135		nsp	00MNN05104610	CHIP RES.	100K-J,1/16W-1608	C20001046M160F
MAIN	R136		nsp	00MNN05221610	CHIP RES.	220-J,1/16W-1608	C20002216M160F
MAIN	R137		nsp	00MNN05222610	CHIP RES.	2.2K-J,1/16W-1608	C20002226M160F
MAIN	R138		nsp	00MNN05104610	CHIP RES.	100K-J,1/16W-1608	C20001046M160F
MAIN	R139		nsp	00MNN05224610	CHIP RES.	220K-J,1/16W-1608	C20002246M160F

NOTE : "nsp" PART IS LISTED FOR REFERENCE ONLY, MARANTZ WILL NOT SUPPLY THESE PARTS.

P.C.B. NAME	POS. NO.	VERS. COLOR	PART NO. (FOR EUR)	PART NO. (MZ)	PART NAME	DESCRIPTION	
MAIN	R140		nsp	00MNN05103610	CHIP RES.	10K-J,1/16W-1608	C20001036M160F
MAIN	R141		nsp	00MNN05105610	CHIP RES.	1M-J,1/16W-1608	C20001056M160F
MAIN	R142		nsp	nsp	RES.	100-J,1/5W-52RE	C00001016P520F
MAIN	R143		nsp	00MNN05221610	CHIP RES.	220-J,1/16W-1608	C20002216M160F
MAIN	R144		nsp	00MNN05000610	CHIP. RES.	0-J,1/16W-1608	C20000006M160F
MAIN	R146		nsp	00MNN05103610	CHIP RES.	10K-J,1/16W-1608	C20001036M160F
MAIN	R147		nsp	00MNN05103610	CHIP RES.	10K-J,1/16W-1608	C20001036M160F
MAIN	R148		nsp	00MNN05561610	CHIP RES.	560-J,1/16W-1608	C20005616M160F
MAIN	R149		nsp	00MNN05561610	CHIP RES.	560-J,1/16W-1608	C20005616M160F
MAIN	R150		nsp	00MNN05561610	CHIP RES.	560-J,1/16W-1608	C20005616M160F
MAIN	R151		nsp	00MNN05561610	CHIP RES.	560-J,1/16W-1608	C20005616M160F
MAIN	R152		nsp	00MNN05561610	CHIP RES.	560-J,1/16W-1608	C20005616M160F
MAIN	R153		nsp	00MNN05561610	CHIP RES.	560-J,1/16W-1608	C20005616M160F
MAIN	R154		nsp	00MNN05561610	CHIP RES.	560-J,1/16W-1608	C20005616M160F
MAIN	R155		nsp	00MNN05561610	CHIP RES.	560-J,1/16W-1608	C20005616M160F
MAIN	R156		nsp	00MNN05561610	CHIP RES.	560-J,1/16W-1608	C20005616M160F
MAIN	R157		nsp	00MNN05561610	CHIP RES.	560-J,1/16W-1608	C20005616M160F
MAIN	R158		nsp	00MNN05103610	CHIP RES.	10K-J,1/16W-1608	C20001036M160F
MAIN	R159		nsp	00MNN05561610	CHIP RES.	560-J,1/16W-1608	C20005616M160F
MAIN	R160		nsp	00MNN05103610	CHIP RES.	10K-J,1/16W-1608	C20001036M160F
MAIN	R161		nsp	00MNN05561610	CHIP RES.	560-J,1/16W-1608	C20005616M160F
MAIN	R162		nsp	00MNN05561610	CHIP RES.	560-J,1/16W-1608	C20005616M160F
MAIN	R163		nsp	00MNN05561610	CHIP RES.	560-J,1/16W-1608	C20005616M160F
MAIN	R164		nsp	00MNN05561610	CHIP RES.	560-J,1/16W-1608	C20005616M160F
MAIN	R165		nsp	00MNN05561610	CHIP RES.	560-J,1/16W-1608	C20005616M160F
MAIN	R166		nsp	00MNN05101610	CHIP RES.	100-J,1/16W-1608	C20001016M160F
MAIN	R167		nsp	00MNN05101610	CHIP RES.	100-J,1/16W-1608	C20001016M160F
MAIN	R168		nsp	00MNN05101610	CHIP RES.	100-J,1/16W-1608	C20001016M160F
MAIN	R169		nsp	00MNN05561610	CHIP RES.	560-J,1/16W-1608	C20005616M160F
MAIN	R170		nsp	00MNN05561610	CHIP RES.	560-J,1/16W-1608	C20005616M160F
MAIN	R171		nsp	00MNN05561610	CHIP RES.	560-J,1/16W-1608	C20005616M160F
MAIN	R172		nsp	00MNN05561610	CHIP RES.	560-J,1/16W-1608	C20005616M160F
MAIN	R173		nsp	00MNN05561610	CHIP RES.	560-J,1/16W-1608	C20005616M160F
MAIN	R174		nsp	00MNN05561610	CHIP RES.	560-J,1/16W-1608	C20005616M160F
MAIN	R175		nsp	00MNN05561610	CHIP RES.	560-J,1/16W-1608	C20005616M160F
MAIN	R176		nsp	00MNN05561610	CHIP RES.	560-J,1/16W-1608	C20005616M160F
MAIN	R177		nsp	00MNN05561610	CHIP RES.	560-J,1/16W-1608	C20005616M160F
MAIN	R178		nsp	00MNN05561610	CHIP RES.	560-J,1/16W-1608	C20005616M160F
MAIN	R179		nsp	00MNN05561610	CHIP RES.	560-J,1/16W-1608	C20005616M160F
MAIN	R180		nsp	00MNN05561610	CHIP RES.	560-J,1/16W-1608	C20005616M160F
MAIN	R181		nsp	00MNN05561610	CHIP RES.	560-J,1/16W-1608	C20005616M160F
MAIN	R182		nsp	00MNN05561610	CHIP RES.	560-J,1/16W-1608	C20005616M160F
MAIN	R183		nsp	00MNN05561610	CHIP RES.	560-J,1/16W-1608	C20005616M160F
MAIN	R184		nsp	00MNN05561610	CHIP RES.	560-J,1/16W-1608	C20005616M160F
MAIN	R185		nsp	00MNN05561610	CHIP RES.	560-J,1/16W-1608	C20005616M160F
MAIN	R186		nsp	00MNN05561610	CHIP RES.	560-J,1/16W-1608	C20005616M160F
MAIN	R187		nsp	00MNN05561610	CHIP RES.	560-J,1/16W-1608	C20005616M160F
MAIN	R188		nsp	00MNN05561610	CHIP RES.	560-J,1/16W-1608	C20005616M160F
MAIN	R189		nsp	00MNN05561610	CHIP RES.	560-J,1/16W-1608	C20005616M160F
MAIN	R190		nsp	nsp	RES.	560-J,1/5W-52RE-AX	C00005616P520F
MAIN	R191		nsp	00MNN05102610	CHIP RES.	1K-J,1/16W-1608	C20001026M160F
MAIN	R192		nsp	nsp	RES.	2.2-J,1/5W-52RE-AX	C0002R206P520F
MAIN	R193		nsp	00MNN05563610	CHIP RES.	56K-J,1/16W-1608	C20005636M160F
MAIN	R194		nsp	00MNN05561610	CHIP RES.	560-J,1/16W-1608	C20005616M160F
MAIN	R195		nsp	00MNN05221610	CHIP RES.	220-J,1/16W-1608	C20002216M160F
MAIN	R196		nsp	00MNN05561610	CHIP RES.	560-J,1/16W-1608	C20005616M160F
MAIN	R197		nsp	00MNN05222610	CHIP RES.	2.2K-J,1/16W-1608	C20002226M160F
MAIN	R198		nsp	00MNN05103610	CHIP RES.	10K-J,1/16W-1608	C20001036M160F
MAIN	R199		nsp	00MNN05102610	CHIP RES.	1K-J,1/16W-1608	C20001026M160F
MAIN	R550		nsp	nsp	RES.	560-J,1/5W-52RE-AX	C00005616P520F
MAIN	R551		nsp	nsp	RES.	560-J,1/5W-52RE-AX	C00005616P520F
MAIN	R552		nsp	nsp	RES.	560-J,1/5W-52RE-AX	C00005616P520F
MAIN	R554		nsp	00MNN05104610	CHIP RES.	100K-J,1/16W-1608	C20001046M160F
MAIN	R555		nsp	00MNN05104610	CHIP RES.	100K-J,1/16W-1608	C20001046M160F
MAIN	R559		nsp	00MNN05104610	CHIP RES.	100K-J,1/16W-1608	C20001046M160F
MAIN	R560		nsp	00MNN05221610	CHIP RES.	220-J,1/16W-1608	C20002216M160F
MAIN	R561		nsp	00MNN05221610	CHIP RES.	220-J,1/16W-1608	C20002216M160F

NOTE : "nsp" PART IS LISTED FOR REFERENCE ONLY, MARANTZ WILL NOT SUPPLY THESE PARTS.

P.C.B. NAME	POS. NO.	VERS. COLOR	PART NO. (FOR EUR)	PART NO. (MZ)	PART NAME	DESCRIPTION	
MAIN	R562		nsp	nsp	RES.	560-J,1/5W-52RE-AX	C00005616P520F
MAIN	R563		nsp	nsp	RES.	560-J,1/5W-52RE-AX	C00005616P520F
MAIN	R564		nsp	00MNN05104610	CHIP RES.	100K-J,1/16W-1608	C20001046M160F
MAIN	R565		nsp	00MNN05104610	CHIP RES.	100K-J,1/16W-1608	C20001046M160F
MAIN	R566		nsp	00MNN05561610	CHIP RES.	560-J,1/16W-1608	C20005616M160F
MAIN	R567		nsp	00MNN05563610	CHIP RES.	56K-J,1/16W-1608	C20005636M160F
MAIN	R568		nsp	00MNN05563610	CHIP RES.	56K-J,1/16W-1608	C20005636M160F
MAIN	R569		nsp	00MNN05561610	CHIP RES.	560-J,1/16W-1608	C20005616M160F
MAIN	R570		nsp	00MNN05222610	CHIP RES.	2.2K-J,1/16W-1608	C20002226M160F
MAIN	R571		nsp	00MNN05222610	CHIP RES.	2.2K-J,1/16W-1608	C20002226M160F
MAIN	R572		nsp	00MNN05222610	CHIP RES.	2.2K-J,1/16W-1608	C20002226M160F
MAIN	R573		nsp	00MNN05823610	CHIP RES.	82K-J,1/16W-1608	C20008236M160F
MAIN	R574		nsp	00MNN05222610	CHIP RES.	2.2K-J,1/16W-1608	C20002226M160F
MAIN	R575		nsp	00MNN05222610	CHIP RES.	2.2K-J,1/16W-1608	C20002226M160F
MAIN	UP101		nsp	nsp	CONN.	PIN HEADER 2P ST 2.0MM	L101020000010S
MAIN	UP101-1		nsp	nsp	CONN.	PIN HEDER 2.0MM	L424000040000F
MAIN	UP102		nsp	nsp	CONN.	PIN HEADER 2P ST 2.0MM	L101020000010S
MAIN	UP102-1		nsp	nsp	CONN.	PIN HEDER 2.0MM	L424000040000F
MAIN	WIRE101		nsp	nsp	CORD	120MM/1P	L000121010090S
MAIN	XTAL101		90M-FQ000590R	90M-FQ000590R	CER. VIB.	CSTLS20MOX51-AO 20MHZ	E830200010010S
MAIN	XTAL102		90M-JX000750R	90M-JX000750R	X'TAL	32.768KHZ,CFS308-CL,12.5P	E80032R768050S
MAIN	ZD101		00MHD30621000	00MHD30621000	ZENER DIODE	MTZJ6.2B-0.5W/5MA-52MM	K06006R244520S
MAIN	ZD102		00MHD30621000	00MHD30621000	ZENER DIODE	MTZJ6.2B-0.5W/5MA-52MM	K06006R244520S
MAIN	ZD103		90M-HD302080R	90M-HD302080R	ZENER DIODE	MTZJ3.3B-0.5W/5MA-52MM	K06003R344520S
MAIN	ZD104		00MHD30271000	00MHD30271000	ZENER DIODE	MTZJ2.7B-0.5W/5MA-52MM	K06002R744520S
					<b>POWER AMP PWB</b>		
POWER			nsp	nsp	CLAMPER	(W=2.6,L=50)/WIRE(SOLDER)	4330000120000S
POWER	C501		nsp	nsp	CER. CAP.	F0.01UF-Z/500V-5RE	D00410359D050S
POWER	C502		nsp	nsp	CER. CAP.	F0.01UF-Z/500V-5RE	D00410359D050S
POWER	C503		nsp	nsp	CER. CAP.	F0.01UF-Z/500V-5RE	D00410359D050S
POWER	C504		nsp	nsp	CER. CAP.	F0.01UF-Z/500V-5RE	D00410359D050S
POWER	C505		nsp	90M-OA000510R	ELECT CAP.	4700UF-M/35V(SHL),18*35.5 P=7.5	D040472085020F
POWER	C506		nsp	90M-OA000510R	ELECT CAP.	4700UF-M/35V(SHL),18*35.5 P=7.5	D040472085020F
POWER	C507		nsp	00MDK96103300	CER. CAP.	X7R0.01UF-K/50V-1608	D011103777160S
POWER	C508		nsp	00MDK96103300	CER. CAP.	X7R0.01UF-K/50V-1608	D011103777160S
POWER	C509		nsp	90M-OA000490R	ELECT CAP.	100UF-M/35V,6.3*11,SHL PB FREE	D040101085070F
POWER	C510		nsp	00MOA10701620	ELECT CAP.	100UF-M/16V,6.3*11	D040101083100F
POWER	C511		nsp	nsp	CER. CAP.	F0.01UF-Z/500V-5RE	D00410359D050S
POWER	C512		nsp	00MOA10701620	ELECT CAP.	100UF-M/16V,6.3*11	D040101083100F
POWER	C517		nsp	00MDK96103300	CER. CAP.	X7R0.01UF-K/50V-1608	D011103777160S
POWER	C518		nsp	00MDK96103300	CER. CAP.	X7R0.01UF-K/50V-1608	D011103777160S
POWER	C519		nsp	00MDK96103300	CER. CAP.	X7R0.01UF-K/50V-1608	D011103777160S
POWER	C520		nsp	00MOA10701620	ELECT CAP.	100UF-M/16V,6.3*11	D040101083100F
POWER	C522		nsp	00MOA47605020	ELECT CAP.	47UF-M/50V,6.3*11-5RE.SY	D040470087060F
POWER	C523		nsp	00MDK96103300	CER. CAP.	X7R0.01UF-K/50V-1608	D011103777160S
POWER	C524		nsp	00MDK96103300	CER. CAP.	X7R0.01UF-K/50V-1608	D011103777160S
POWER	C526		nsp	00MDK96103300	CER. CAP.	X7R0.01UF-K/50V-1608	D011103777160S
POWER	C529		nsp	90M-OA000480R	ELECT CAP.	47UF-M/100V,10*12.5 RD 105°C	D04147006C050F
POWER	C531		nsp	00D9639005749	ELECT CAP.	1UF-M/50V,5*11-5RE.SY	D040010087080F
POWER	C533		nsp	00MDK96103300	CER. CAP.	X7R0.01UF-K/50V-1608	D011103777160S
POWER	C534		nsp	90M-EJ000070R	ELECT CAP.	10UF-M/16V,3.5*5	D040100083090F
POWER	C535		nsp	00MDK96103300	CER. CAP.	X7R0.01UF-K/50V-1608	D011103777160S
POWER	C536		nsp	90M-EJ000070R	ELECT CAP.	10UF-M/16V,3.5*5	D040100083090F
POWER	C537		nsp	00D9639005927	ELECT CAP.	0.1UF-M/50V,5*11-5RE.SY	D040R10087070F
POWER	C538		nsp	00D9639005927	ELECT CAP.	0.1UF-M/50V,5*11-5RE.SY	D040R10087070F
POWER	C539		nsp	00MDD95101300	CER. CAP.	COG100PF-J/50V-1608	D010101167160S
POWER	C540		nsp	00MOA10701620	ELECT CAP.	100UF-M/16V,6.3*11	D040101083100F
POWER	C541		nsp	00MDD95101300	CER. CAP.	COG100PF-J/50V-1608	D010101167160S
POWER	C542		nsp	00MDD99030300	CER. CAP.	COG3PF-C/50V-1608	D010030107160S
POWER	C543		nsp	00MDD95101300	CER. CAP.	COG100PF-J/50V-1608	D010101167160S
POWER	C544		nsp	00MDD99030300	CER. CAP.	COG3PF-C/50V-1608	D010030107160S
POWER	C545		nsp	00MOA22701020	ELECT CAP.	220UF-M/10V,6.3*11-5RE.SMS-SY	D040221082050F
POWER	C546		nsp	00MOA22703520	ELECT CAP.	220UF-M/35V,8*11.5-5RE,SHL	D040221085060F
POWER	C547		nsp	00MDD95101300	CER. CAP.	COG100PF-J/50V-1608	D010101167160S
POWER	C548		nsp	00MOA10603520	ELECT CAP.	10UF-M/35V,5*11-5RE SY	D040100085050F
POWER	C549		nsp	00MOA22703520	ELECT CAP.	220UF-M/35V,8*11.5-5RE,SHL	D040221085060F
POWER	C550		nsp	00MOA22701020	ELECT CAP.	220UF-M/10V,6.3*11-5RE.SMS-SY	D040221082050F

NOTE : "nsp" PART IS LISTED FOR REFERENCE ONLY, MARANTZ WILL NOT SUPPLY THESE PARTS.



P.C.B. NAME	POS. NO.	VERS. COLOR	PART NO. (FOR EUR)	PART NO. (MZ)	PART NAME	DESCRIPTION	
POWER	C551		nsp	00MDD95101300	CER. CAP.	COG100PF-J/50V-1608	D010101167160S
POWER	C552		nsp	90M-OA000500R	ELECT CAP.	4700UF-M/25V(MHA),16*25 P=7.5	D040472084240S
POWER	C553		nsp	90M-OA000500R	ELECT CAP.	4700UF-M/25V(MHA),16*25 P=7.5	D040472084240S
POWER	C554		nsp	00MDD95101300	CER. CAP.	COG100PF-J/50V-1608	D010101167160S
POWER	C555		nsp	00MOA10603520	ELECT CAP.	10UF-M/35V,5*11-5RE.SY	D040100085050F
POWER	C556		nsp	00MDK96102300	CER. CAP.	X7R1000PF-K/50V-1608	D011102777160S
POWER	C557		nsp	00MDK96102300	CER. CAP.	X7R1000PF-K/50V-1608	D011102777160S
POWER	C560		nsp	00MOA47601640	ELECT CAP.	47UF-M/16V,5*11-5RE.SY	D040470083080F
POWER	C561		nsp	90M-OA000490R	ELECT CAP.	100UF-M/35V,6.3*11,SHL PB FREE	D040101085070F
POWER	C589		nsp	nsp	CER. CAP.	B0.01UF-K/50V-5RE	D004103277050S
POWER	C590		nsp	00MOA10702520	ELECT CAP.	100UF-M/25V,6.3*11-5RE.SY	D040101084060F
POWER	C591		nsp	90M-OA000490R	ELECT CAP.	100UF-M/35V,6.3*11,SHL PB FREE	D040101085070F
POWER	C592		nsp	00MOA10702520	ELECT CAP.	100UF-M/25V,6.3*11-5RE.SY	D040101084060F
POWER	C593		nsp	00MDK96103300	CER. CAP.	X7R0.01UF-K/50V-1608	D011103777160S
POWER	C594		nsp	nsp	CER. CAP.	B0.01UF-K/50V-5RE	D004103277050S
POWER	C595		nsp	00MOA10701620	ELECT CAP.	100UF-M/16V,6.3*11	D040101083100F
POWER	C596		nsp	00MOA22702520	ELECT CAP.	220UF-M/25V,8*11.5-5RE.SY	D040221084060F
POWER	C597		nsp	00MOA22701620	ELECT CAP.	220UF-M/16V,6.3*11-5RE,SHL-SY	D040221083110F
POWER	CP503		nsp	nsp	CONN.	53014-0310 3P	L101530140310S
POWER	CP504		nsp	nsp	CONN.	5268-06A 6P ANGLE	L102526806010S
POWER	CP505		90M-YP100370R	90M-YP100370R	CONN.	TUC-P11P-B1 BD-TO-BD 11P	L101100041110S
POWER	CP506		nsp	nsp	CONN. CORD	140MM/3P 5264-03=CKM2509H-03	L000141030090S
POWER	CP507		90M-YJ002970R	90M-YJ002970R	CONN.	TUC-P17X-B1 BD-TO-BD 17P	L101100031710S
POWER	CP508		90M-YJ002960R	90M-YJ002960R	CONN.	TUC-P11X-B1 BD-TO-BD 11P	L101100031110S
POWER	CP509		nsp	nsp	CONN.	5268-04A 4P ANGLE	L102526800400S
POWER	▲ D501		90M-HE200380R	90M-HE200380R	DIODE	D5SB20-4003/DBF60C	K047400300010S
POWER	▲ D502		90M-HD201570R	90M-HD201570R	DIODE	IN4007 52REEL 1000V 1A	K000400700520S
POWER	▲ D503		90M-HD201570R	90M-HD201570R	DIODE	IN4007 52REEL 1000V 1A	K000400700520S
POWER	▲ D504		90M-HD201570R	90M-HD201570R	DIODE	IN4007 52REEL 1000V 1A	K000400700520S
POWER	▲ D505		90M-HD201570R	90M-HD201570R	DIODE	IN4007 52REEL 1000V 1A	K000400700520S
POWER	▲ D506		90M-HD201570R	90M-HD201570R	DIODE	IN4007 52REEL 1000V 1A	K000400700520S
POWER	▲ D507		90M-HD201570R	90M-HD201570R	DIODE	IN4007 52REEL 1000V 1A	K000400700520S
POWER	D508		nsp	00D9630219709	DIODE	1N4148W SOD-323	K005041480020S
POWER	D509		nsp	00D9630219709	DIODE	1N4148W SOD-323	K005041480020S
POWER	GND501		nsp	nsp	TERMINAL	() ALL PBST/GND PLATE	3790040876010S
POWER	IC501		90M-HC300870R	90M-HC300870R	IC	KIA78D12PI 12V 20.8W TO-220IS	J126781200240S
POWER	IC502		00D9600296202	00D9600296202	IC	CJ7912F TO-220F 15W 1.5A	J126791200130S
POWER	IC503		90M-HC300860R	90M-HC300860R	IC	KIA78D09PI 9V 20.8W TO-220IS	J126780900160S
POWER	IC504		90M-HC300850R	90M-HC300850R	IC	KIA78D05PI 5V 20.8W TO-220IS	J126780500440S
POWER	IC506		00MHC36J3321F	00MHC36J3321F	IC	BA033T/3.3V	J12603R300010S
POWER	IC507		00MHC3890609F	00MHC3890609F	IC	CJ7806F TO-220F 15W 1.5A	J126780600200S
POWER	IC508		00D9600296105	00D9600296105	IC	CJ7812F TO-220F 15W 1.5A	J126781200220S
POWER	IC509		90M-HC109560R	90M-HC109560R	IC	IC STK402-030 20W*2CH	J100402030000
POWER	J501		nsp	nsp	CORD	JUMPER (0.6/52MM)	L045084006040S
POWER	J502		nsp	nsp	CORD	JUMPER (0.6/52MM)	L045084006040S
POWER	J503		nsp	nsp	CORD	JUMPER (0.6/52MM)	L045084006040S
POWER	J504		nsp	nsp	CORD	JUMPER (0.6/52MM)	L045084006040S
POWER	J505		nsp	nsp	CORD	JUMPER (0.6/52MM)	L045084006040S
POWER	J506		nsp	nsp	CORD	JUMPER (0.6/52MM)	L045084006040S
POWER	J507		nsp	nsp	CORD	JUMPER (0.6/52MM)	L045084006040S
POWER	J509		nsp	nsp	CORD	JUMPER (0.6/52MM)	L045084006040S
POWER	J510		nsp	nsp	CORD	JUMPER (0.6/52MM)	L045084006040S
POWER	J511		nsp	nsp	CORD	JUMPER (0.6/52MM)	L045084006040S
POWER	J512		nsp	nsp	CORD	JUMPER (0.6/52MM)	L045084006040S
POWER	J513		nsp	nsp	CORD	JUMPER (0.6/52MM)	L045084006040S
POWER	J514		nsp	nsp	CORD	JUMPER (0.6/52MM)	L045084006040S
POWER	J515		nsp	nsp	CORD	JUMPER (0.6/52MM)	L045084006040S
POWER	J516		nsp	nsp	CORD	JUMPER (0.6/52MM)	L045084006040S
POWER	J517		nsp	nsp	CORD	JUMPER (0.6/52MM)	L045084006040S
POWER	J518		nsp	nsp	CORD	JUMPER (0.6/52MM)	L045084006040S
POWER	J520		nsp	nsp	CORD	JUMPER (0.6/52MM)	L045084006040S
POWER	J521		nsp	nsp	CORD	JUMPER (0.6/52MM)	L045084006040S
POWER	J522		nsp	nsp	CORD	JUMPER (0.6/52MM)	L045084006040S
POWER	J523		nsp	nsp	CORD	JUMPER (0.6/52MM)	L045084006040S
POWER	J524		nsp	nsp	CORD	JUMPER (0.6/52MM)	L045084006040S
POWER	J525		nsp	nsp	CORD	JUMPER (0.6/52MM)	L045084006040S
POWER	J527		nsp	nsp	CORD	JUMPER (0.6/52MM)	L045084006040S

NOTE : "nsp" PART IS LISTED FOR REFERENCE ONLY, MARANTZ WILL NOT SUPPLY THESE PARTS.

P.C.B. NAME	POS. NO.	VERS. COLOR	PART NO. (FOR EUR)	PART NO. (MZ)	PART NAME	DESCRIPTION	
POWER	J528		nsp	nsp	CORD	JUMPER (0.6/52MM)	L045084006040S
POWER	J529		nsp	nsp	CORD	JUMPER (0.6/52MM)	L045084006040S
POWER	J530		nsp	nsp	CORD	JUMPER (0.6/52MM)	L045084006040S
POWER	J531		nsp	nsp	CORD	JUMPER (0.6/52MM)	L045084006040S
POWER	J532		nsp	nsp	CORD	JUMPER (0.6/52MM)	L045084006040S
POWER	J533		nsp	nsp	CORD	JUMPER (0.6/52MM)	L045084006040S
POWER	J534		nsp	nsp	CORD	JUMPER (0.6/52MM)	L045084006040S
POWER	J535		nsp	nsp	CORD	JUMPER (0.6/52MM)	L045084006040S
POWER	J536		nsp	nsp	CORD	JUMPER (0.6/52MM)	L045084006040S
POWER	J538		nsp	nsp	CORD	JUMPER (0.6/52MM)	L045084006040S
POWER	J539		nsp	nsp	CHIP RES.	0-J,1/8W-3216	C200000061300F
POWER	J540		nsp	nsp	CHIP RES.	0-J,1/8W-3216	C200000061300F
POWER	J541		nsp	nsp	CHIP RES.	0-J,1/8W-3216	C200000061300F
POWER	J542		nsp	nsp	CHIP RES.	0-J,1/8W-3216	C200000061300F
POWER	J545		nsp	nsp	CORD	JUMPER (0.6/52MM)	L045084006040S
POWER	J546		nsp	nsp	CHIP RES.	0-J,1/8W-3216	C200000061300F
POWER	J547		nsp	nsp	CORD	JUMPER (0.6/52MM)	L045084006040S
POWER	J548		nsp	nsp	CORD	JUMPER (0.6/52MM)	L045084006040S
POWER	J549		nsp	nsp	CHIP RES.	0-J,1/8W-3216	C200000061300F
POWER	OPT501		00D9630225104	00D9630225104	OPT. CONN.	JST1165-B /96K SHUTTER	E100116500030S
POWER	Q501		90M-HT300860R	90M-HT300860R	TRS.	KSC1845F,0.5W/TO92	J5021845F0000P
POWER	Q502		90M-HT300860R	90M-HT300860R	TRS.	KSC1845F,0.5W/TO92	J5021845F0000P
POWER	Q503		90M-HT100590R	90M-HT100590R	TRS.	KSA992F,0.5W/TO92	J5000992F0050P
POWER	Q504		90M-HT300860R	90M-HT300860R	TRS.	KSC1845F,0.5W/TO92	J5021845F0000P
POWER	Q505		90M-HT300860R	90M-HT300860R	TRS.	KSC1845F,0.5W/TO92	J5021845F0000P
POWER	Q506		00D9630226705	00D9630226705	TRS.	KTC1027Y,1W/TO92L	J5021027Y0020S
POWER	R501		nsp	00MNN05222610	CHIP RES.	2.2K-J,1/16W-1608	C20002226M160F
POWER	R502		nsp	00MNN05222610	CHIP RES.	2.2K-J,1/16W-1608	C20002226M160F
POWER	R503		nsp	00MNN05471610	CHIP RES.	470-J,1/16W-1608	C20004716M160F
POWER	R504		nsp	00MNN05471610	CHIP RES.	470-J,1/16W-1608	C20004716M160F
POWER	R505		nsp	00MNN05563610	CHIP RES.	56K-J,1/16W-1608	C20005636M160F
POWER	R507		nsp	00MNN05563610	CHIP RES.	56K-J,1/16W-1608	C20005636M160F
POWER	R508		nsp	00MNN05102610	CHIP RES.	1K-J,1/16W-1608	C20001026M160F
POWER	R509		nsp	00MNN05563610	CHIP RES.	56K-J,1/16W-1608	C20005636M160F
POWER	R510		nsp	00MNN05102610	CHIP RES.	1K-J,1/16W-1608	C20001026M160F
POWER	R511		nsp	nsp	RES.	10K-J,1/5W-52RE-AX	C00001036P520F
POWER	R512		nsp	nsp	RES.	0.22-J,1W-R.REEL	C060R22065050S
POWER	R513		nsp	nsp	RES.	0.22-J,1W-R.REEL	C060R22065050S
POWER	R514		nsp	nsp	RES.	0.22-J,1W-R.REEL	C060R22065050S
POWER	R515		nsp	nsp	RES.	0.22-J,1W-R.REEL	C060R22065050S
POWER	R516		nsp	nsp	RES.	47-J,1W-R.REEL	C060047065060S
POWER	R517		nsp	00MNN05332610	CHIP RES.	3.3K-J,1/16W-1608	C20003326M160F
POWER	R518		nsp	nsp	RES.	47-J,1W-R.REEL	C060047065060S
POWER	R519		nsp	00MNN05332610	CHIP RES.	3.3K-J,1/16W-1608	C20003326M160F
POWER	R520		nsp	00MNN05563610	CHIP RES.	56K-J,1/16W-1608	C20005636M160F
POWER	R521		nsp	nsp	RES.	100-J,1W-R.REEL	C060010165060S
POWER	R522		nsp	nsp	RES.	47K-J,1/5W-52RE-AX	C00004736P520F
POWER	R523		nsp	nsp	RES.	47K-J,1/5W-52RE-AX	C00004736P520F
POWER	R524		nsp	00MNN05822610	CHIP RES.	8.2K-J,1/16W-1608	C20008226M160F
POWER	R525		nsp	00MNN05562610	CHIP RES.	5.6K-J,1/16W-1608	C20005626M160F
POWER	R526		nsp	00MNN05272610	CHIP RES.	2.7K-J,1/16W-1608	C20002726M160F
POWER	R527		nsp	00MNN05472610	CHIP RES.	4.7K-J,1/16W-1608	C20004726M160F
POWER	R528		nsp	00MNN05103610	CHIP RES.	10K-J,1/16W-1608	C20001036M160F
POWER	R529		nsp	nsp	RES.	10K-J,1/5W-52RE-AX	C00001036P520F
POWER	R530		nsp	nsp	RES.	100-J,1W-R.REEL	C060010165060S
POWER	R531		nsp	nsp	CORD	JUMPER (0.6/52MM)	L045084006040S
POWER	R532		nsp	nsp	CORD	JUMPER (0.6/52MM)	L045084006040S
POWER	R535		nsp	nsp	RES.	0.22-J,1W-R.REEL	C060R22065050S
POWER	R536		nsp	nsp	RES.	0.22-J,1W-R.REEL	C060R22065050S
POWER	R537		nsp	nsp	RES.	4.7-J,1/4W,R.REEL	C0604R7063050S
POWER	R539		nsp	00MNN05563610	CHIP RES.	56K-J,1/16W-1608	C20005636M160F
POWER	R540		nsp	00MNN05563610	CHIP RES.	56K-J,1/16W-1608	C20005636M160F
POWER	R541		nsp	00MNN05272610	CHIP RES.	2.7K-J,1/16W-1608	C20002726M160F
POWER	R542		nsp	00MNN05472610	CHIP RES.	4.7K-J,1/16W-1608	C20004726M160F
POWER	R543		nsp	nsp	RES.	10K-J,1/5W-52RE-AX	C00001036P520F
POWER	R545		nsp	00MNN05103610	CHIP RES.	10K-J,1/16W-1608	C20001036M160F
POWER	ZD503		00MHD30511000	00MHD30511000	ZENER DIODE	MTZJ5.1B-0.5W/5MA-52MM	K06005R144520S

NOTE : "nsp" PART IS LISTED FOR REFERENCE ONLY, MARANTZ WILL NOT SUPPLY THESE PARTS.

P.C.B. NAME	POS. NO.	VERS. COLOR	PART NO. (FOR EUR)	PART NO. (MZ)	PART NAME	DESCRIPTION	
POWER	ZD506		00D9630046202	00D9630046202	ZENER DIODE	MTZJ18B-0.5W/5MA-52MM	K06018R044520S
POWER	ZD507		00D9630046202	00D9630046202	ZENER DIODE	MTZJ18B-0.5W/5MA-52MM	K06018R044520S
					<b>SPEAKER PWB</b>		
SPK	BEAD301		90M-FC900420R	90M-FC900420R	EMI FILTER	3580-52RE-AX	7610010030000S
SPK	C301		nsp	nsp	FILM CAP.	MI-0.068UF-J/50V-5RE	D020683167060F
SPK	C302		nsp	nsp	FILM CAP.	MI-0.068UF-J/50V-5RE	D020683167060F
SPK	C303		nsp	nsp	CER. CAP.	B0.0047UF-K/50V-5RE	D004472277050S
SPK	C304		nsp	nsp	CER. CAP.	B0.0047UF-K/50V-5RE	D004472277050S
SPK	C305		nsp	nsp	CER. CAP.	F0.01UF-Z/50V-5RE	D004103097060S
SPK	C306		nsp	00MDK96103300	CER. CAP.	X7R0.01UF-K/50V-1608	D011103777160S
SPK	CN301		90M-YJ002940R	90M-YJ002940R	CONN.	TUC-P04X-B1 BD-TO-BD 4P	L101100030410S
SPK	CP301		90M-YP100380R	90M-YP100380R	CONN.	TUC-P12P-B1 BD-TO-BD 12P	L101100041210S
SPK	CP303		nsp	nsp	CONN.	5268-05A 5P ANGLE	L102526800500
SPK	D301		nsp	00MHD20015210	DIODE	1SS133T-72-52MM	K000013300520S
SPK	D917		nsp	00D9630219709	DIODE	1N4148W SOD-323	K005041480020S
SPK	J136		nsp	nsp	CORD	JUMPER (0.6/52MM)	L045084006040S
SPK	J580		nsp	nsp	CORD	JUMPER (0.6/52MM)	L045084006040S
SPK	J581		nsp	nsp	CORD	JUMPER (0.6/52MM)	L045084006040S
SPK	J582		nsp	nsp	CORD	JUMPER (0.6/52MM)	L045084006040S
SPK	J583		nsp	nsp	CORD	JUMPER (0.6/52MM)	L045084006040S
SPK	J584		nsp	nsp	CORD	JUMPER (0.6/52MM)	L045084006040S
SPK	J585		nsp	nsp	CORD	JUMPER (0.6/52MM)	L045084006040S
SPK	J586		nsp	nsp	CORD	JUMPER (0.6/52MM)	L045084006040S
SPK	JACK301		90M-YT004750R	90M-YT004750R	SW	P40420446P-4P	G040404204320
SPK	JACK302		90M-YT004770R	90M-YT004770R	TERMINAL	JE010003KN(GND) BK	G600010003020S
SPK	L301		nsp	nsp	COIL	0.15UH-BULK	D330R15000000F
SPK	L302		nsp	nsp	COIL	0.15UH-BULK	D330R15000000F
SPK	Q301		00MHT317401L0	00MHT317401L0	TRS.	2SC1740SR,0.3W/TO92M	J5021740S0010S
SPK	Q302		00MHT317401L0	00MHT317401L0	TRS.	2SC1740SR,0.3W/TO92M	J5021740S0010S
SPK	R351		nsp	nsp	RES.	10-J,1W-R.REEL	C060010065050S
SPK	R352		nsp	nsp	RES.	10-J,1W-R.REEL	C060010065050S
SPK	R353		nsp	nsp	RES.	10-J,1W-R.REEL	C060010065050S
SPK	R354		nsp	nsp	RES.	10-J,1W-R.REEL	C060010065050S
SPK	R355		nsp	nsp	RES.	1-J,1W-R.REEL	C060001065060S
SPK	R356		nsp	nsp	RES.	4.7K-J,1/5W-52RE-AX	C00004726P520F
SPK	R357		nsp	nsp	RES.	47K-J,1/5W-52RE-AX	C00004736P520F
SPK	R358		nsp	00MNN05103610	CHIP RES.	10K-J,1/16W-1608	C20001036M160F
SPK	R359		nsp	00MNN05103610	CHIP RES.	10K-J,1/16W-1608	C20001036M160F
SPK	R360		nsp	nsp	RES.	47K-J,1/5W-52RE-AX	C00004736P520F
SPK	R361		nsp	00MNN05681610	CHIP RES.	680-J,1/16W-1608	C20006816M160F
SPK	R362		nsp	nsp	RES.	2.2K-J,1/5W-52RE-AX	C00002226P520F
SPK	R363		nsp	nsp	RES.	270-J,1W-R.REEL	C060027165060S
SPK	R364		nsp	nsp	RES.	270-J,1W-R.REEL	C060027165060S
SPK	R365		nsp	nsp	RES.	270-J,1W-R.REEL	C060027165060S
SPK	R366		nsp	nsp	RES.	270-J,1W-R.REEL	C060027165060S
SPK	RELAY100		00D9630218409	00D9630218409	RELAY	BC3-12 24V 2A (SMALL SIGNAL)	G680240202030F
SPK	RELAY103		90M-LY000270R	90M-LY000270R	RELAY	G5PA-28 12V SPK	G680120528010F
					<b>STANDBY PWB</b>		
STBY	C601		nsp	00MOA47701620	ELECT CAP.	470UF-M/16V,8*11.5-5RE,SHL-SY	D040471083080F
STBY	▲ C602		nsp	00D9639006191	CER. CAP.	AC13F472MDOA PAN OVERSEA	D00847208K070S
STBY	CN603		nsp	nsp	CONN. CORD	70MM/3P 51004-03=CKM2002H-03	L000700030050S
STBY	CP652		nsp	nsp	CONN.	PLUG JE202B1T2 ST2P 3-B2	L108202000220F
STBY	CP653		nsp	nsp	CONN.	35328-0210	L104353280200S
STBY	D601		nsp	90M-HD201570R	DIODE	IN4007 52REEL 1000V 1A	K000400700520S
STBY	D602		nsp	90M-HD201570R	DIODE	IN4007 52REEL 1000V 1A	K000400700520S
STBY	D603		nsp	90M-HD201570R	DIODE	IN4007 52REEL 1000V 1A	K000400700520S
STBY	D604		nsp	90M-HD201570R	DIODE	IN4007 52REEL 1000V 1A	K000400700520S
STBY	D605		nsp	00MHD20015210	DIODE	1SS133T-72-52MM	K000013300520S
STBY	F651		nsp	nsp	HOLDER	PI5.2	G645000050010S
STBY	F651A1		nsp	nsp	HOLDER	PI5.2	G645000050010S
STBY	J611		nsp	nsp	CORD	JUMPER (0.6/52MM)	L045084006040S
STBY	J614		nsp	nsp	CORD	JUMPER (0.6/52MM)	L045084006040S
STBY	J651		nsp	nsp	CORD	JUMPER (0.6/52MM)	L045084006040S
STBY	J708		nsp	nsp	CORD	JUMPER (0.6/52MM)	L045084006040S
STBY	▲ PT602		90M-TS002640R	90M-TS002640R	TRANSF.	STAND-BY 230V/50HZ 28*15	8200280250010S
STBY	Q601		00MHT30001000	00MHT30001000	TRS.	KTC3198Y,0.6W/TO92	J5023198Y0000S
STBY	▲ R601		90M-GA000220R	90M-GA000220R	RES.	! 22-J,1W-5REEL	C060022065050S

NOTE : "nsp" PART IS LISTED FOR REFERENCE ONLY, MARANTZ WILL NOT SUPPLY THESE PARTS.

P.C.B. NAME	POS. NO.	VERS. COLOR	PART NO. (FOR EUR)	PART NO. (MZ)	PART NAME	DESCRIPTION
STBY	R602		nsp	00MNN05102610	CHIP RES.	1K-J,1/16W-1608 C20001026M160F
STBY	R603		nsp	00MNN05103610	CHIP RES.	10K-J,1/16W-1608 C20001036M160F
STBY	▲ RLY601		90M-LY000280R	90M-LY000280R	RELAY	SDT-S-109LMR 9V 250V/5A G680090502010S
					<b>VOLUME (MOTOR) PWB</b>	
VOL.	C401		nsp	00MOA10701620	ELECT CAP.	100UF-M/16V,6.3*11 D040101083100F
VOL.	C402		nsp	nsp	CER. CAP.	F0.1UF-Z/50V-5RE PI6 D006104597050S
VOL.	CN106		nsp	nsp	CONN. CORD	130MM/9P 51004-9=CKM2002H-9 L000131090010S
VOL.	IC401		90M-HC107410R	90M-HC107410R	IC	BA6956AN SIP9 J127695600010S
VOL.	J519		nsp	nsp	CORD	JUMPER (0.6/52MM) L045084006040S
VOL.	J520		nsp	nsp	CORD	JUMPER (0.6/52MM) L045084006040S
VOL.	J521		nsp	nsp	CORD	JUMPER (0.6/52MM) L045084006040S
VOL.	J522		nsp	nsp	CORD	JUMPER (0.6/52MM) L045084006040S
VOL.	J523		nsp	nsp	CORD	JUMPER (0.6/52MM) L045084006040S
VOL.	J524		nsp	nsp	CORD	JUMPER (0.6/52MM) L045084006040S
VOL.	J525		nsp	nsp	CORD	JUMPER (0.6/52MM) L045084006040S
VOL.	J526		nsp	nsp	CORD	JUMPER (0.6/52MM) L045084006040S
VOL.	J527		nsp	nsp	CORD	JUMPER (0.6/52MM) L045084006040S
VOL.	J528		nsp	nsp	CORD	JUMPER (0.6/52MM) L045084006040S
VOL.	R401		nsp	00MNN05123610	CHIP RES.	12K-J,1/16W-1608 C20001236M160F
VOL.	R402		nsp	00MNN05123610	CHIP RES.	12K-J,1/16W-1608 C20001236M160F
VOL.	R403		nsp	nsp	RES.	2.2-J 1/2W R.REEL PNFR25H C1012R2064060S
VOL.	R404		nsp	nsp	RES.	10K-J,1/5W-52RE-AX C00001036P520F
VOL.	R405		nsp	nsp	RES.	10K-J,1/5W-52RE-AX C00001036P520F
VOL.	VR903		90M-RB000090R	90M-RB000090R	VAR. RES.	RK16812MG005 18S-100KB*2 C495121400350F

NOTE : "nsp" PART IS LISTED FOR REFERENCE ONLY, MARANTZ WILL NOT SUPPLY THESE PARTS.